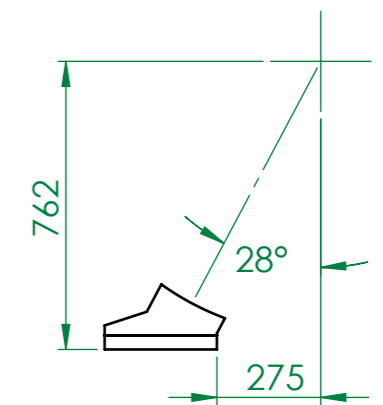
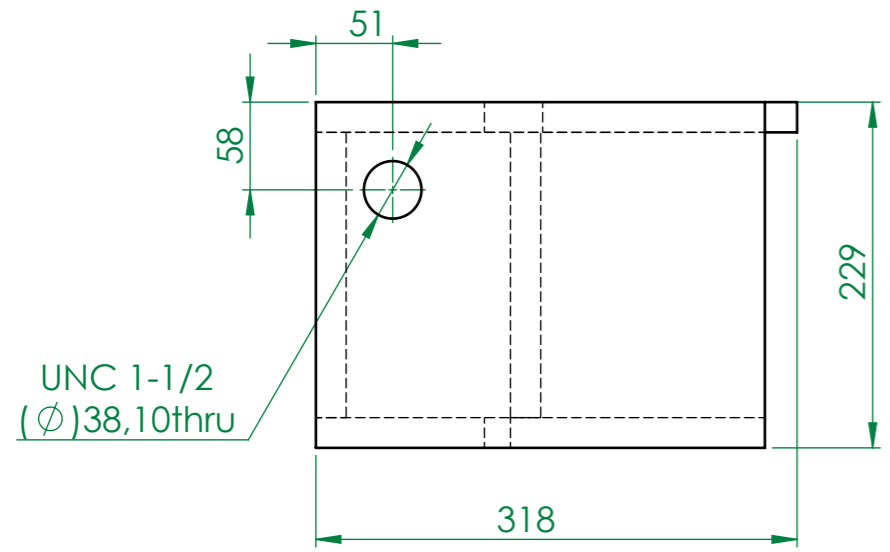
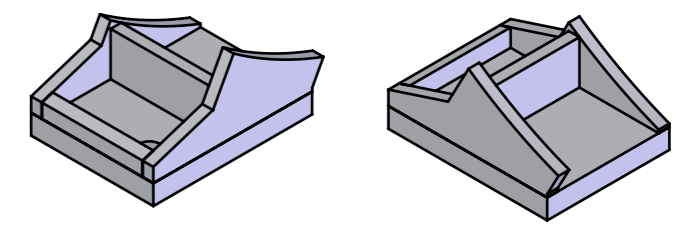
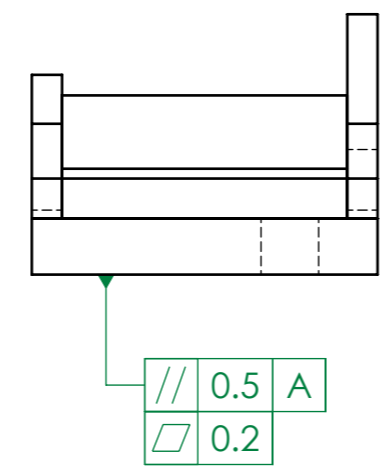
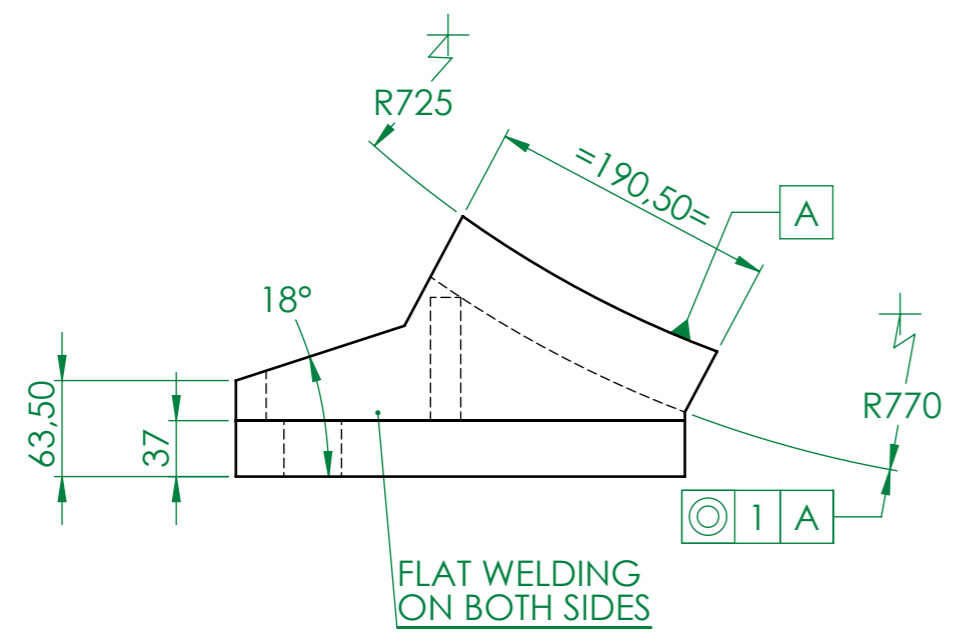


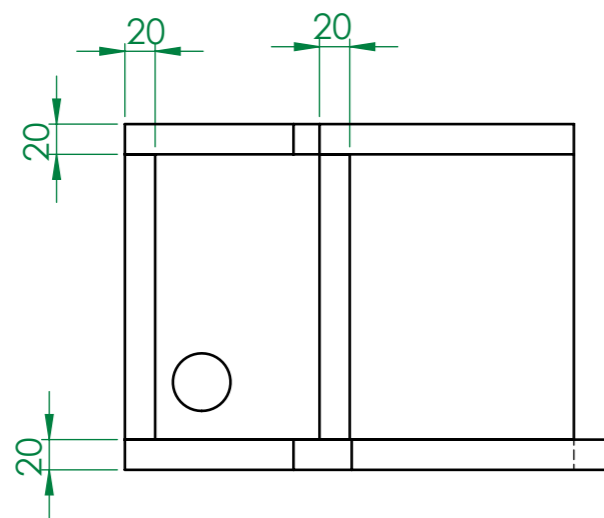
REVISIONS				
ZONE	REV.	DESCRIPTION	DATE	AUTHOR
	A	CREATION	23/09/2013	M. DELBECQ



ECHELLE 1 : 20



ECHELLE 1 : 10



<p>ZI du prat Rue des frères Mongolfier F-56000 Vannes</p> <p>Tel(33) 02.97.01.08.80 Fax (33)02.97.01.08.81 EMAIL Contact@sigmaphi.fr</p>	Name	Date
	Drawing M. DELBECQ	24/09/2013
	Checked	
	Approved	
	MATERIAL: 304L (X2CrNi18-9)	
	Trait.:	
	Roughness :	
	Tol Gen ±1	
	Supplier:	
	Weight: 28.61 Kg	
	File name:318711-JLA-701-023	
DWG NO.	Rev:	
318711-JLA-701-020	A	
This drawing may not be used without special licence or authorisation express (Law of the 11 march 1957)		
	A3	SCALE:1:5 SHEET 1 OF 1