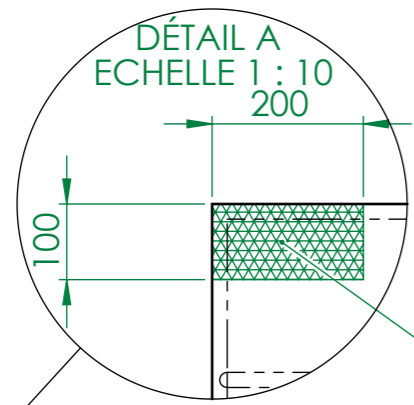
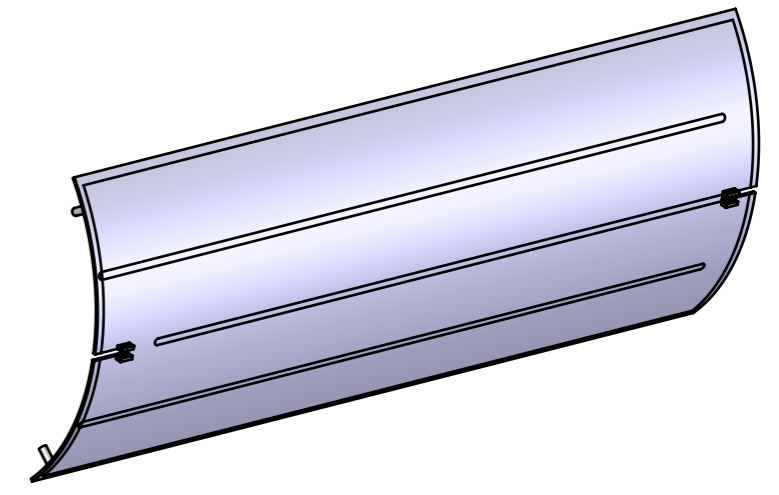
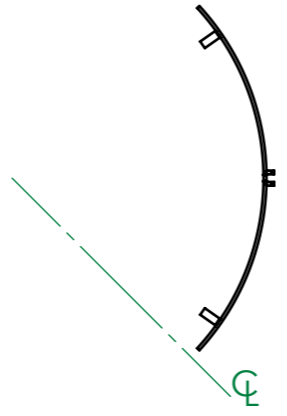
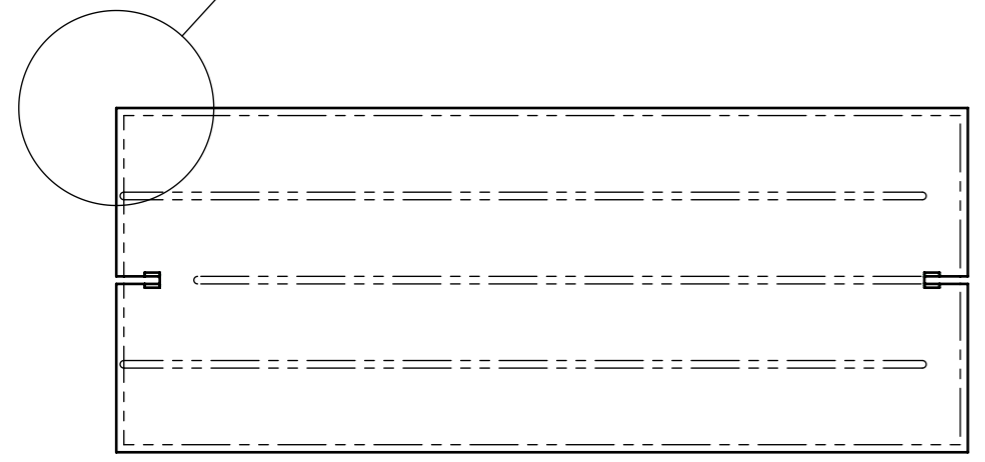



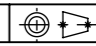
REVISIONS				
ZONE	REV.	DESCRIPTION	DATE	AUTHOR
	A	CREATION	01/07/2013	M. DELBECQ



this area shall be completly tight to rest of the part (to be reworked for mounting)



part symetrical to 702-003 (excepted point shown in "detail A")

 ZI du prat Rue des frères Mongolfier F-56000 Vannes Tel(33) 02.97.01.08.80 Fax (33)02.97.01.08.81 EMAIL Contact@sigmaphi.fr	Name	
	Drawing	M. DELBECQ
	Checked	
	Date	30/09/2013
	Approved	
	MATERIAL:	304L (X2CrNi18-9)
	Trait.:	
	Roughness :	
	Tol Gen	
	Supplier:	
	Weight:	70.00 Kg
	File name:	318711-JLA-702-002
DWG NO.	318711-JLA-702-002	
	Rev:	A
This drawing may not be used without special licence or authorisation express (Law of the 11 march 1957)		
	 A3	SCALE:1:20 SHEET 1 OF 1