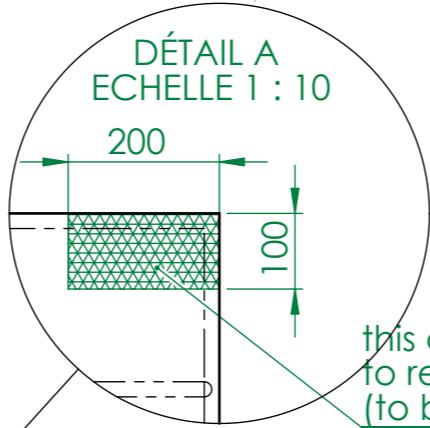
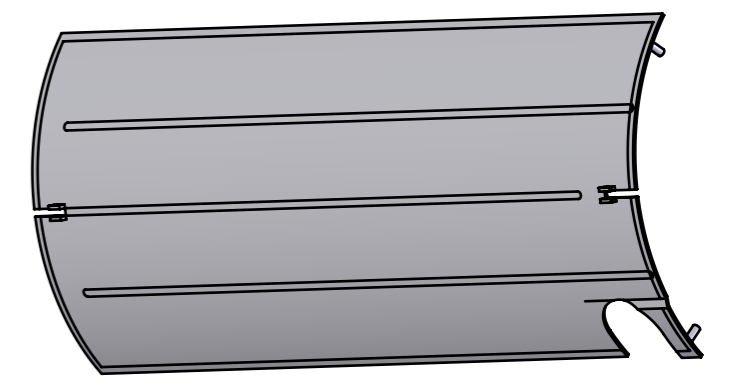
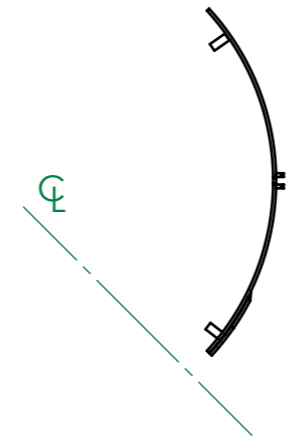
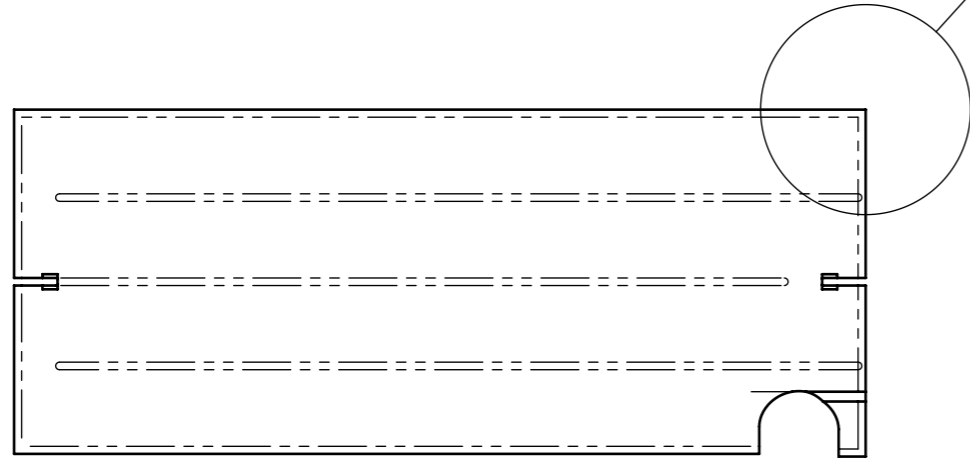



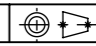
REVISIONS				
ZONE	REV.	DESCRIPTION	DATE	AUTHOR
	A	CREATION	01/07/2013	M. DELBECQ



this area shall be completely tight to rest of the part (to be reworked for mounting)



part symetrical to 702-004 (excepted point shown in "detail A")

 <p>ZI du prat Rue des frères Mongolfier F-56000 Vannes</p> <p>Tel(33) 02.97.01.08.80 Fax (33)02.97.01.08.81 EMAIL Contact@sigmaphi.fr</p>	Name	Date
	Drawing <b>M. DELBECQ</b>	30/09/2013
	Checked	
	Approved	
	MATERIAL: <b>304L (X2CrNi18-9)</b>	
	Trait.:	
<b>702-Antiradiation-Screen</b>	Roughness :	
	Tol Gen	
	Supplier:	
<b>outer pannel 005</b>	Weight: <b>70.00 Kg</b>	
	File name:318711-JLA-702-005	
DWG NO. <b>318711-JLA-702-005</b>	Rev: <b>A</b>	
<p>This drawing may not be used without special licence or authorisation express (Law of the 11 march 1957)</p>		 A3 SCALE:1:20 SHEET 1 OF 1