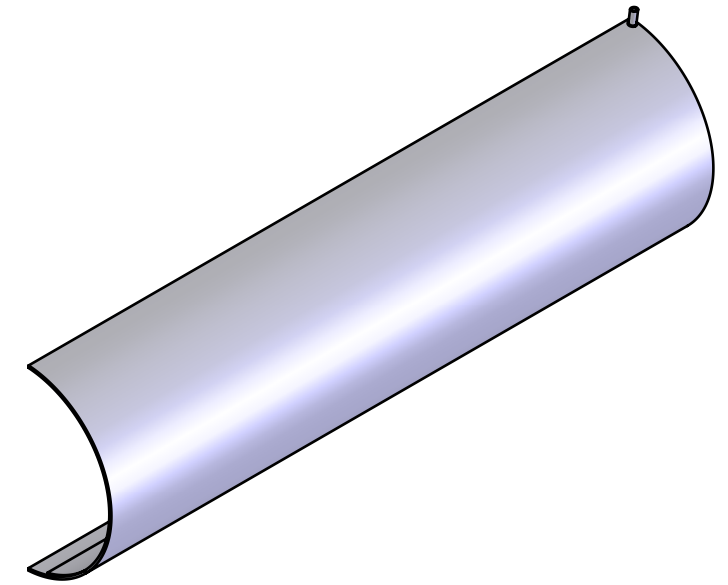
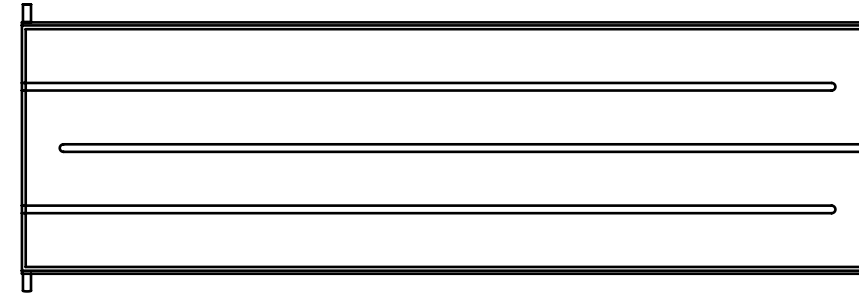




REVISIONS				
ZONE	REV.	DESCRIPTION	DATE	AUTHOR
	A	CREATION	01/07/2013	M. DELBECQ



part symmetrical to 702-007

 <p>ZI du prat Rue des frères Mongolfier F-56000 Vannes</p> <p>Tel(33) 02.97.01.08.80 Fax (33)02.97.01.08.81 EMAIL Contact@sigmaphi.fr</p>	Name		Date
	Drawing	M. DELBECQ	30/09/2013
	Checked		
	Approved		
<p>702-Antiradiation-Screen</p> <p><i>inner pannel 008</i></p>	MATERIAL:	304L (X2CrNi18-9)	
	Trait.:		
	Roughness :		
	Tol Gen		
Supplier:			
Weight:	70.00 Kg		
File name:318711-JLA-702-008			
DWG NO.	318711-JLA-702-008		Rev: A
This drawing may not be used without special licence or authorisation express (Law of the 11 march 1957)			 A3 SCALE:1:20 SHEET 1 OF 1