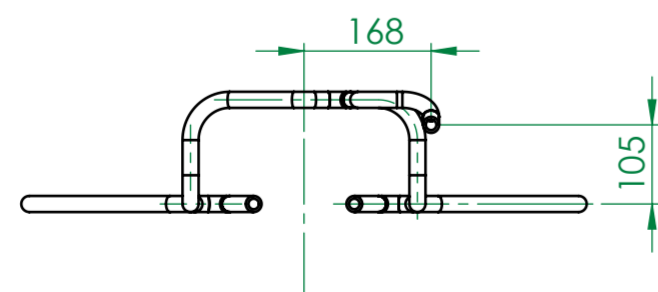
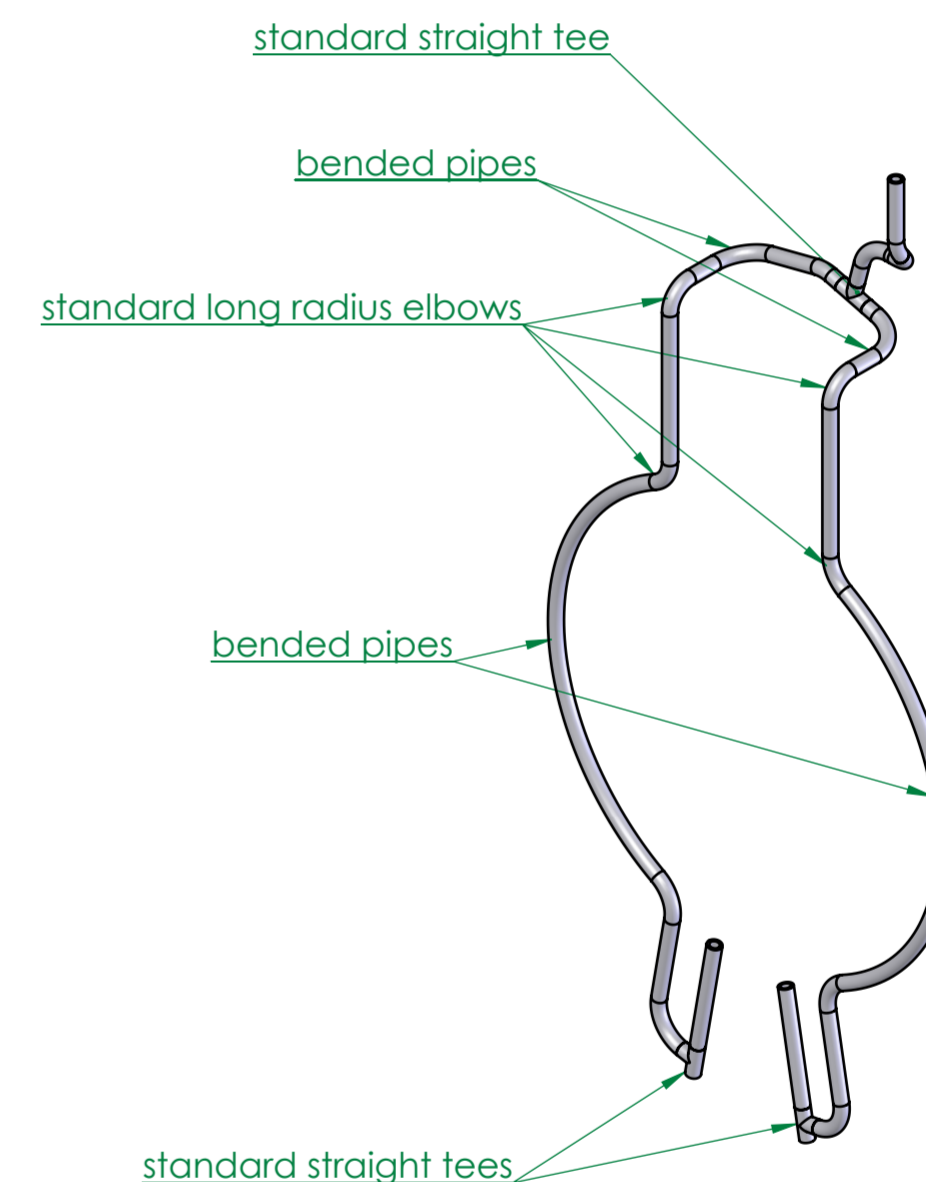
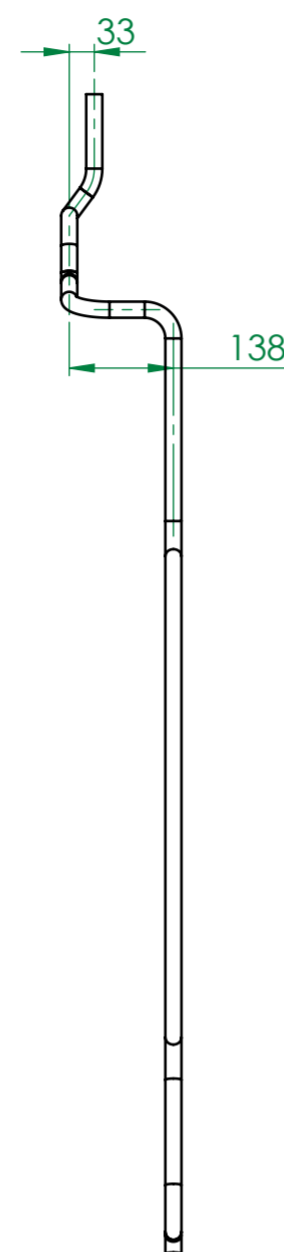
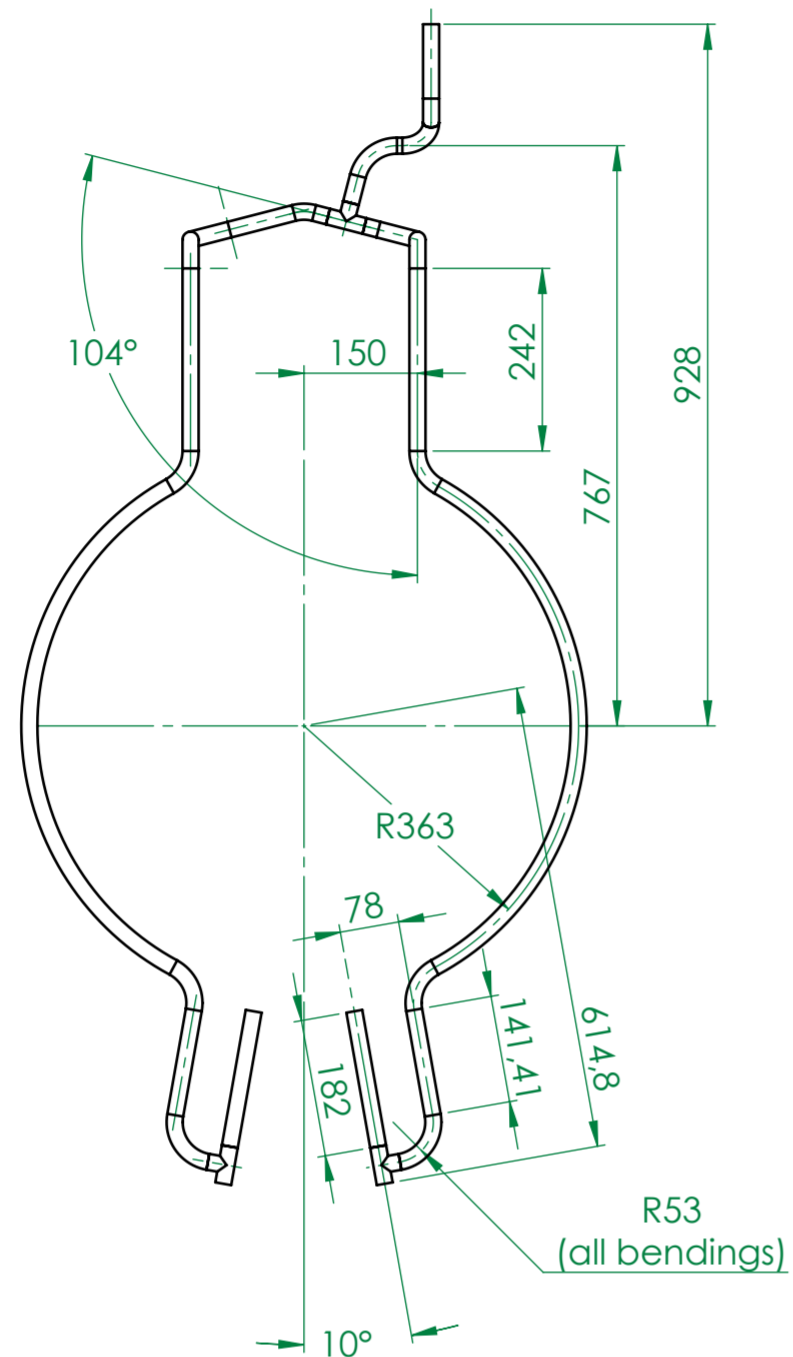

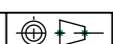


REVISIONS				
ZONE	REV.	DESCRIPTION	DATE	AUTHOR
	A	CREATION	02/07/2013	M. DELBECQ



All pipes and fittings are schedule 80S

 <b>SIGMAPHI</b> <i>zi du prat</i> Rue des frères Mongollier F-56000 Vannes	Name	M. DELBECQ	Date	27/09/2013
	Drawing			
	Checked			
<i>Tel(33) 02.97.01.08.80 Fax (33)02.97.01.08.81 EMAIL Contact@sigmaphi.fr</i>	Approved			
<b>702-Antiradiation-Screen</b>	MATERIAL:	304L (X2CrNi18-9)		
	Trait.:			
	Roughness:			
	Toi Gen			
<b>N2 feeding</b>	Supplier:			
	Weight:	6.66 Kg		
DWG NO.	318711-JLA-702-013			Rev:
<i>This drawing may not be used without special licence or authorisation express (Law of the 11 march 1957)</i>				 A2 SCALE:1:10 SHEET 1 OF 1