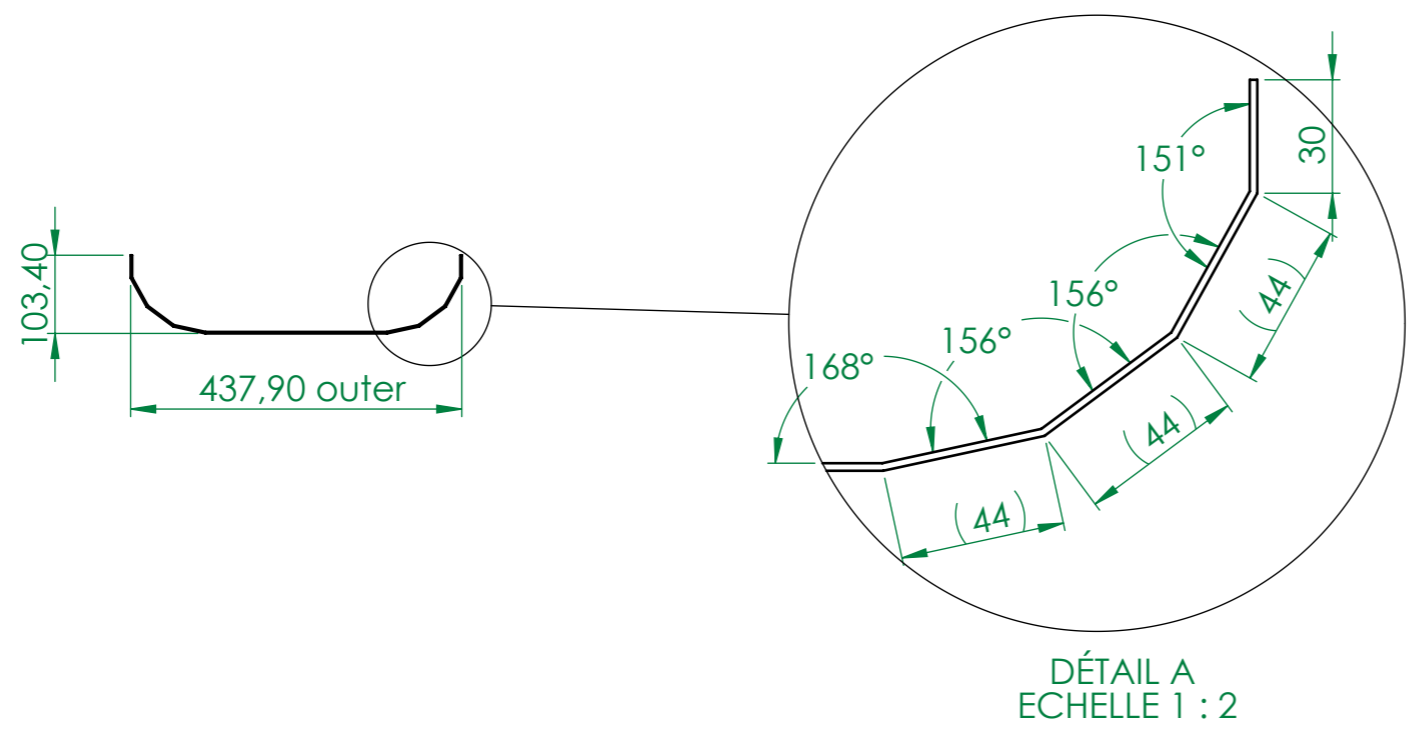
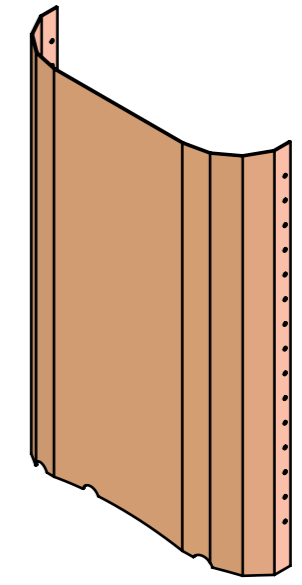
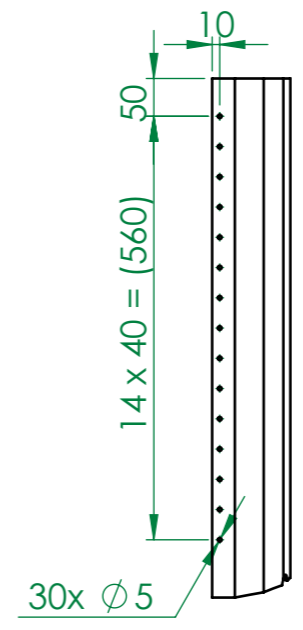
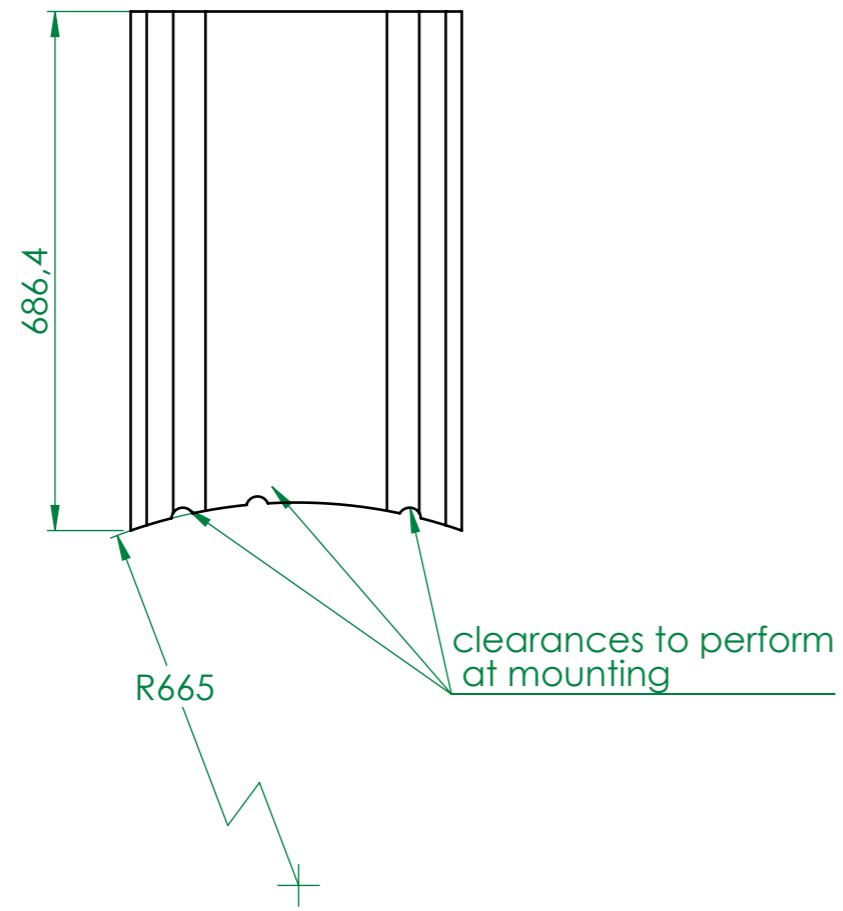



REVISIONS				
ZONE	REV.	DESCRIPTION	DATE	AUTHOR
	A	CREATION	02/07/2013	M. DELBECQ



 <p>ZI du prat Rue des frères Mongolfier F-56000 Vannes</p> <p>Tel(33) 02.97.01.08.80 Fax (33)02.97.01.08.81 EMAIL Contact@sigmaphi.fr</p>	Name	M. DELBECQ	Date	24/09/2013
	Drawing			
	Checked			
	Approved			
<p>702-Antiradiation-Screen</p> <p>neck cover 015</p>	MATERIAL:	copper		
	Trait.:			
	Roughness :			
	Tol Gen	±0.5		
<p>DWG NO.</p> <p>318711-JLA-702-015</p>	Supplier:			
	Weight:	6.60 Kg		
<p>This drawing may not be used without special licence or authorisation express (Law of the 11 march 1957)</p>		File name:	318711-JLA-702-015	
<p>Rev:</p> <p>A</p>				