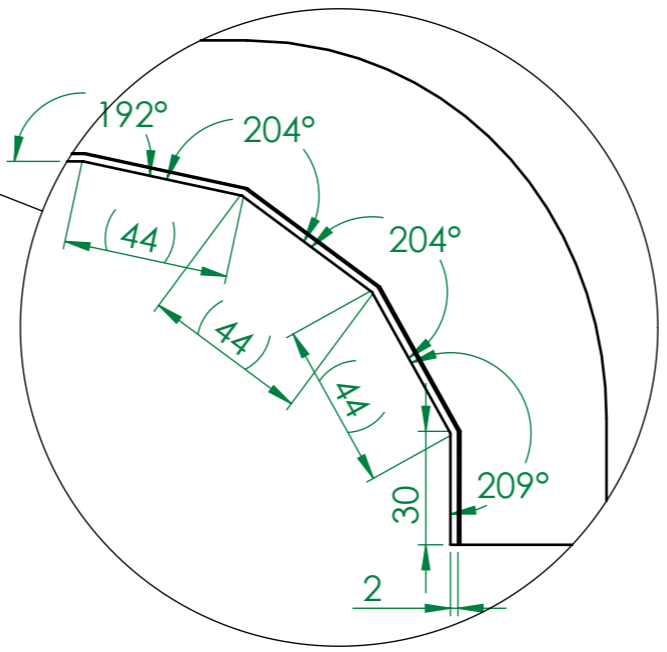
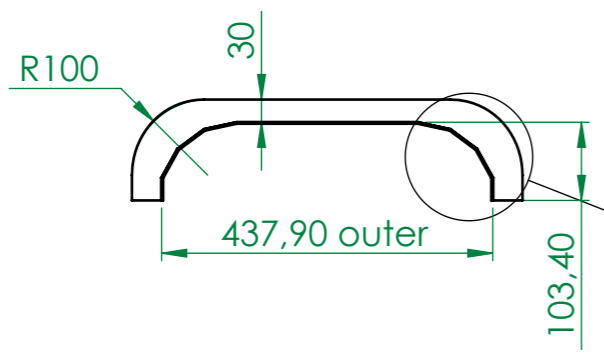
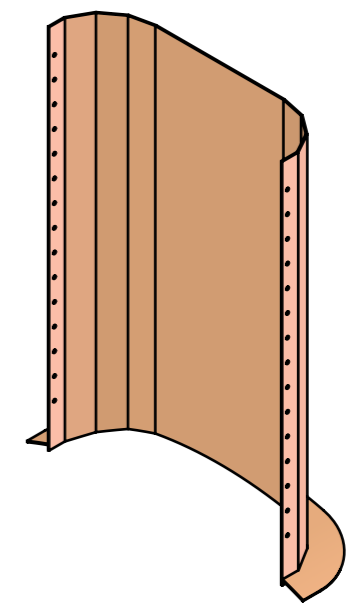
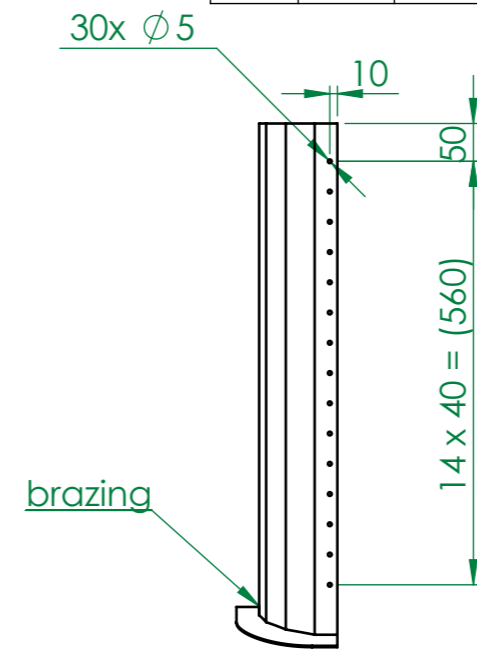
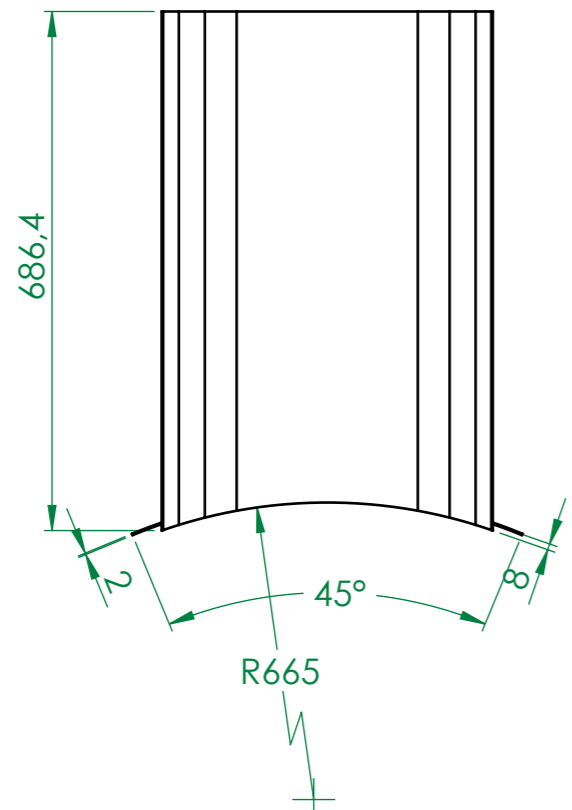




REVISIONS				
ZONE	REV.	DESCRIPTION	DATE	AUTHOR
	A	CREATION	02/07/2013	M. DELBECQ



DÉTAIL A
ECHELLE 1 : 2

 ZI du prat Rue des frères Mongolfier F-56000 Vannes Tel(33) 02.97.01.08.80 Fax (33)02.97.01.08.81 EMAIL Contact@sigmaphi.fr	Name	M. DELBECQ	Date	26/09/2013
	Drawing			
	Checked			
	Approved			
	MATERIAL:	copper		
	Trait.:			
	Roughness :			
	Tol Gen			
	Supplier:			
	Weight:	7.05 Kg		
	File name:	318711-JLA-702-016		
DWG NO.	318711-JLA-702-016			Rev:
				A
This drawing may not be used without special licence or authorisation express (Law of the 11 march 1957)				 A3 SCALE:1:10 SHEET 1 OF 1