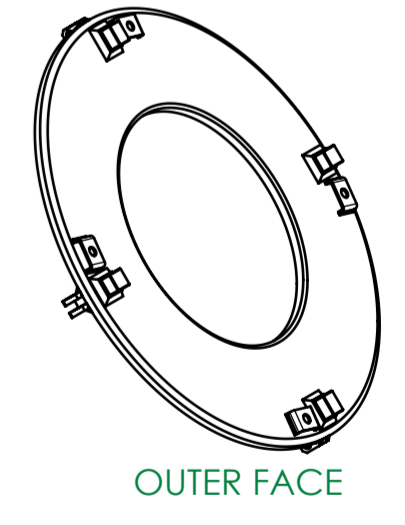
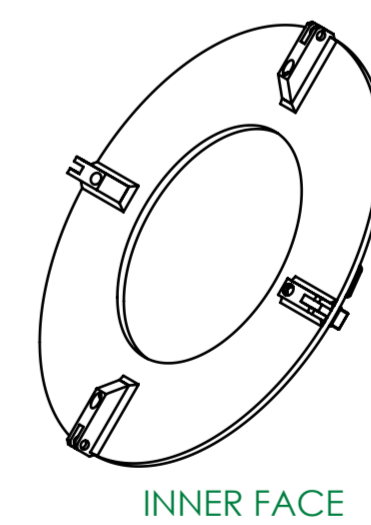
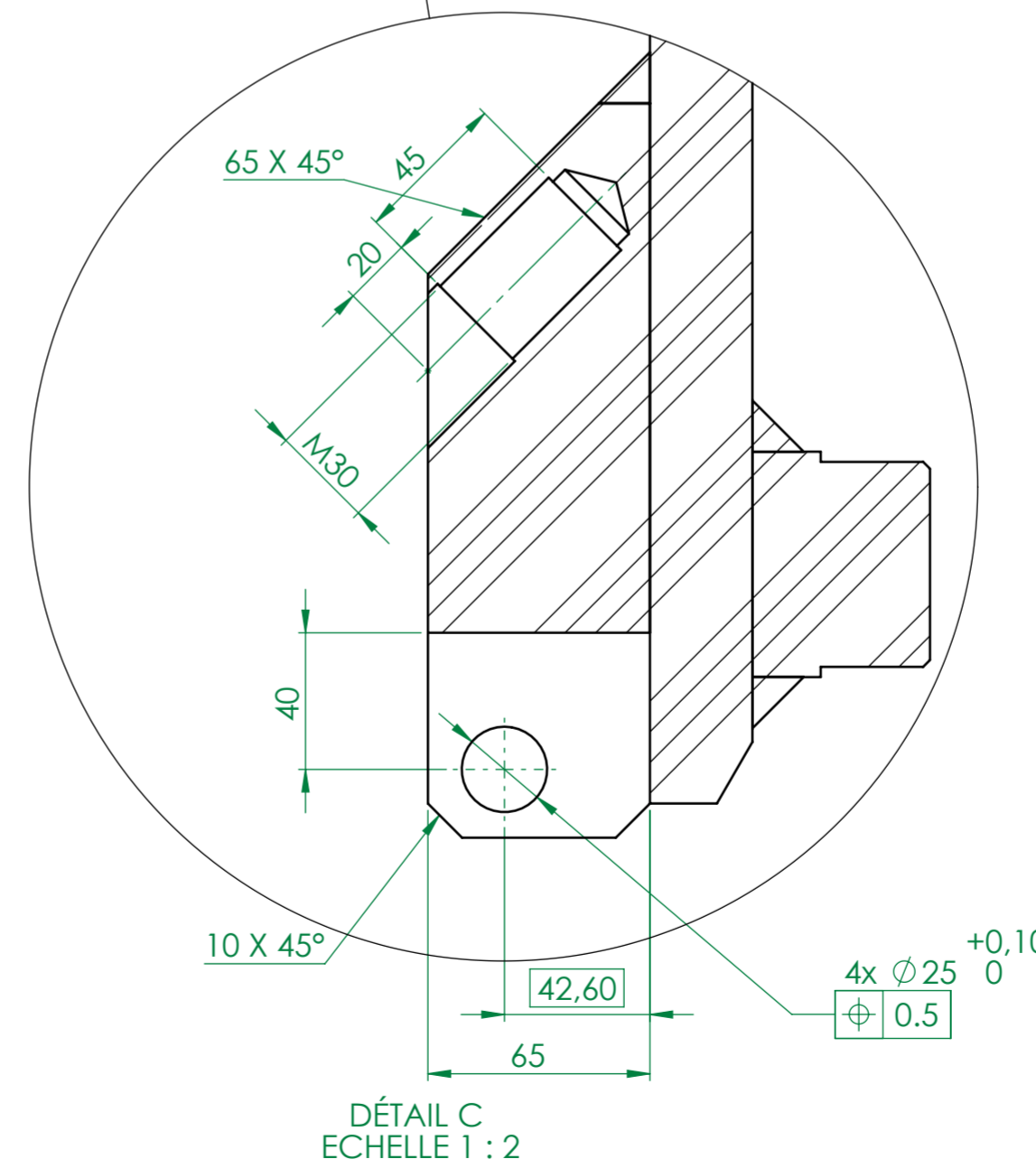
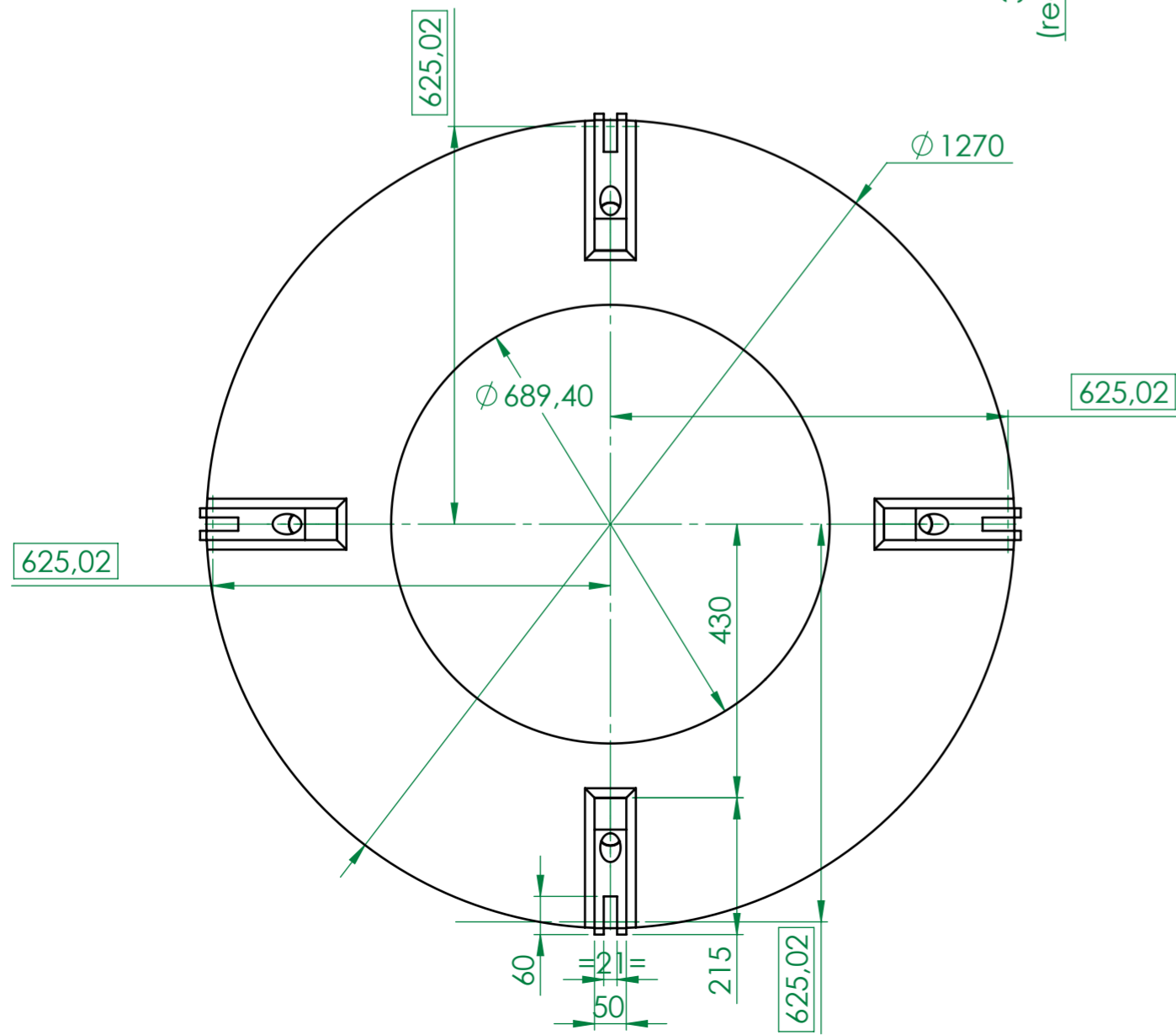
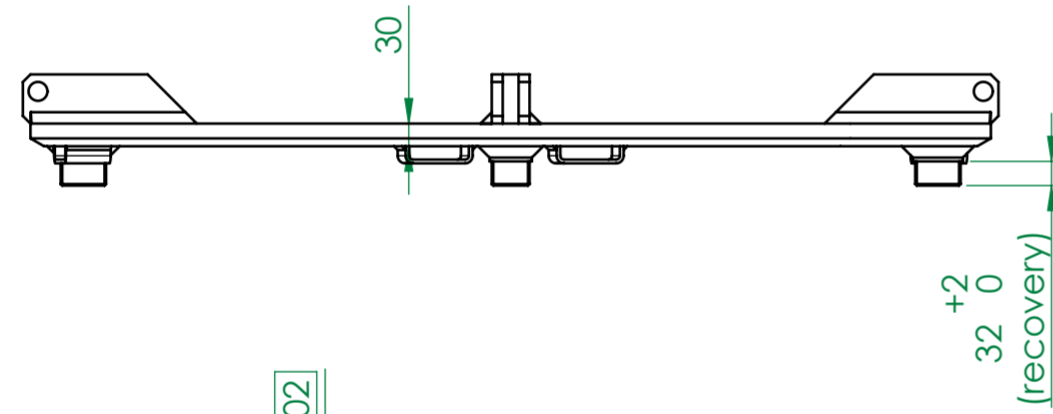
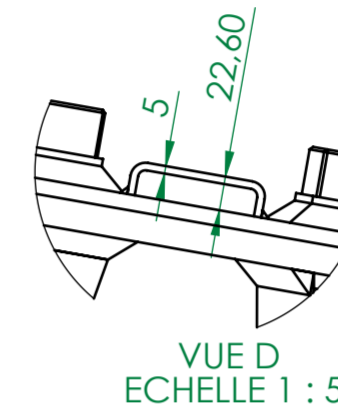
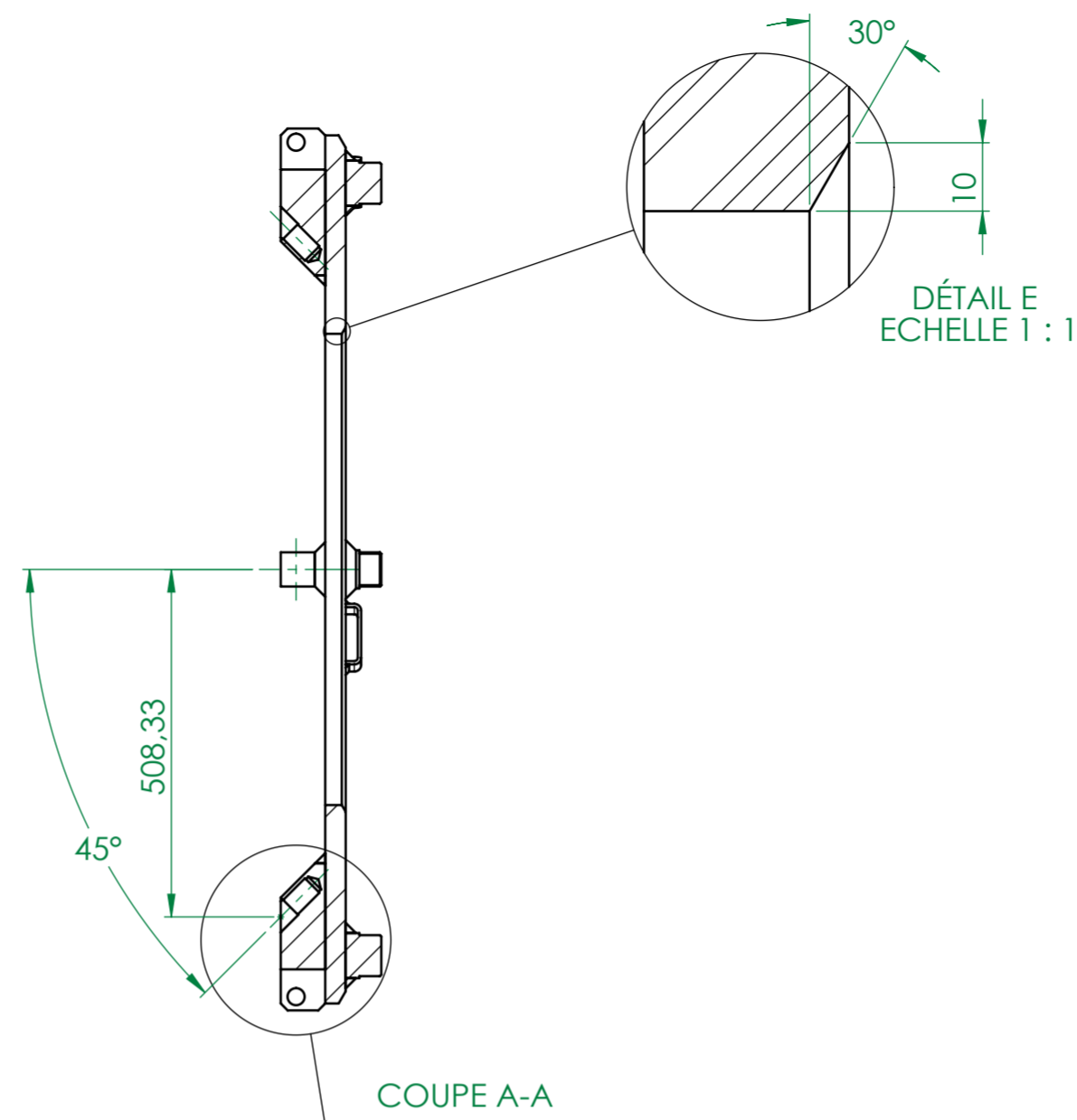
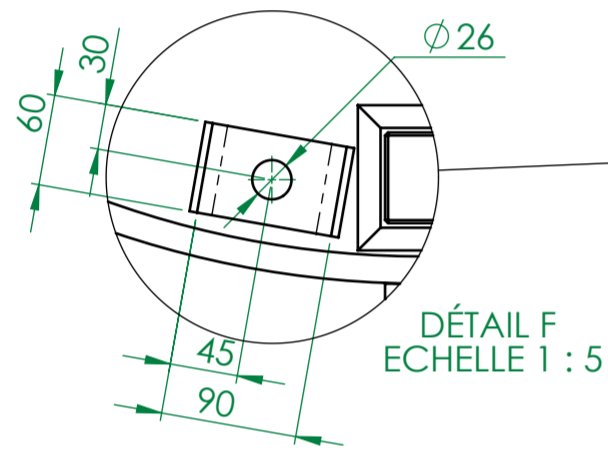
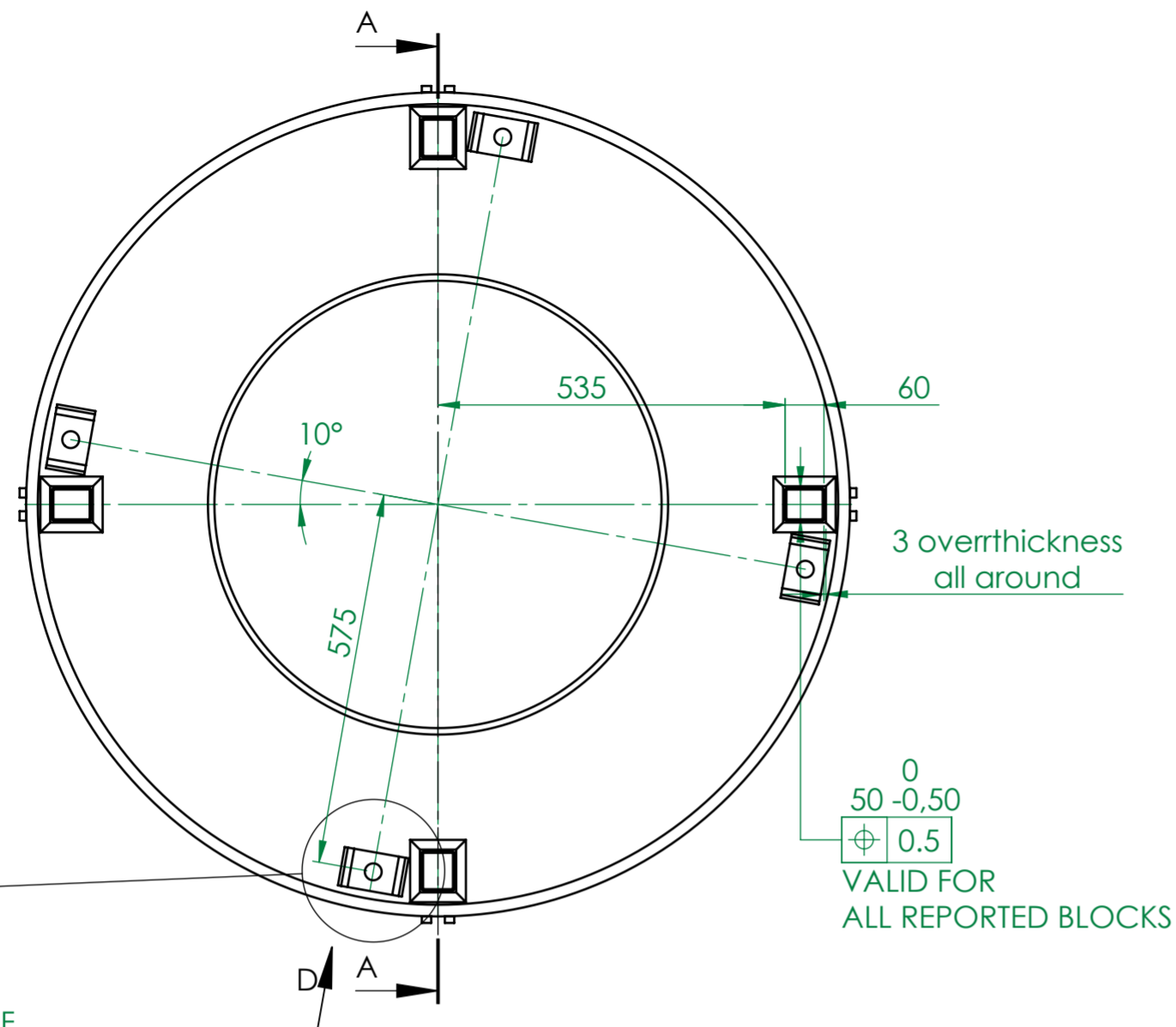


VIEWS ARE ROTATED AT 45° FROM ASSEMBLY FINAL POSITION

REVISIONS				
ZONE	REV.	DESCRIPTION	DATE	AUTHOR
	A	CREATION	28/06/2013	M. DELBECQ



<p><b>SIGMAPHI</b> ZI du port Rue des frères Mongollier F-56000 Vannes</p> <p>Tel(33) 02.97.01.08.80 Fax (33)02.97.01.08.81 EMAIL Contact@sigmaphi.fr</p>	Name	M. DELBECQ	Date	27/09/2013
	Drawing			
	Checked			
	Approved			
<b>703-Helium-Vessel</b>		MATERIAL:	304L (X2CrNi18-9)	
<b>FLANGE</b>		Trait.:		
		Roughness:		
		Toi Gen		
		Supplier:		
		Weight:	232.81 Kg	
		File name:318711-JLA-703-004		
DWG NO.	<b>318711-JLA-703-004</b>			Rev:
				<b>A</b>
This drawing may not be used without special licence or authorisation express (Law of the 11 march 1957)				