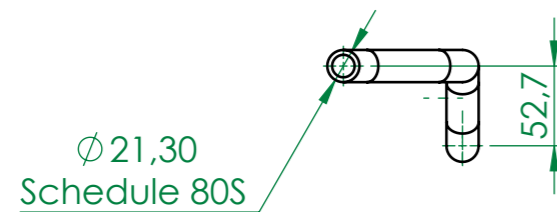
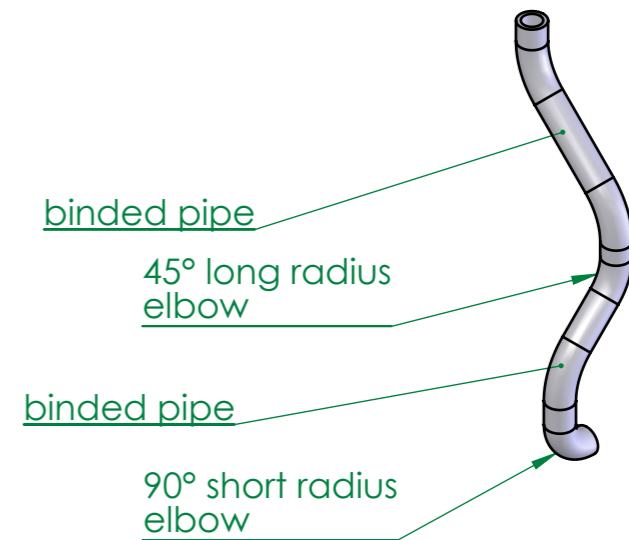
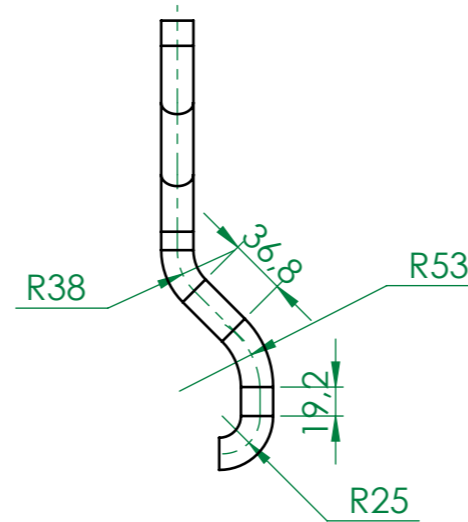
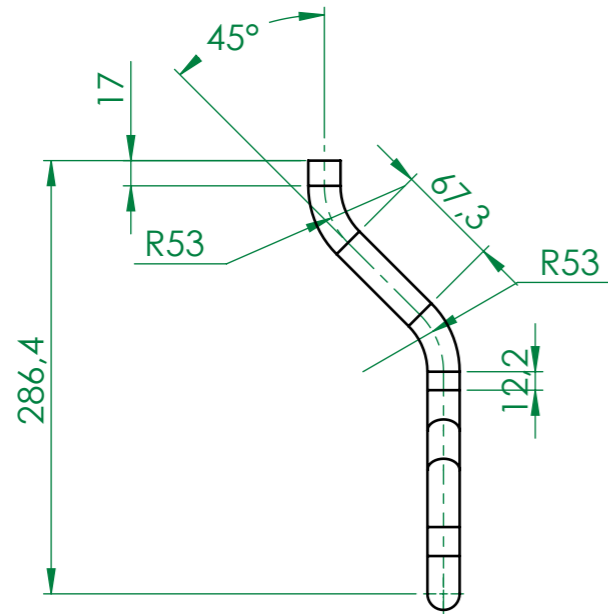




| REVISIONS |      |             |            |            |
|-----------|------|-------------|------------|------------|
| ZONE      | REV. | DESCRIPTION | DATE       | AUTHOR     |
|           | A    | CREATION    | 28/06/2013 | M. DELBECQ |



Design and manufacturing according to AMSE BPV.  
All pipes and fittings are schedule 80S

|   |                                    |                                  |
|---|------------------------------------|----------------------------------|
|  <p>ZI du prat<br/>Rue des frères Mongolfier<br/>F-56000 Vannes</p> <p>Tel(33) 02.97.01.08.80 Fax (33)02.97.01.08.81 EMAIL Contact@sigmaphi.fr</p> | Name                               | Date                             |
|   | Drawing <b>M. DELBECQ</b>          | 24/09/2013                       |
|   | Checked                            |                                  |
|   | Approved                           |                                  |
|   | MATERIAL: <b>304L (X2CrNi18-9)</b> |                                  |
|   | Trait.:                            |                                  |
| <b>703-Helium-Vessel</b>  | Roughness :                        |                                  |
|   | Tol Gen                            | <b>±1</b>                        |
|   | Supplier:                          |                                  |
| <b>FEEDING</b>  | Weight:                            | <b>0.50 Kg</b>                   |
|   | File name:                         | 318711-JLA-703-006               |
| DWG NO.<br><b>318711-JLA-703-006</b>  | Rev:                               | <b>A</b>                         |
| <p>This drawing may not be used without special licence or authorisation express (Law of the 11 march 1957)</p>   |                                    |                                  |
|    |                                    | <p>A3 SCALE:1:5 SHEET 1 OF 1</p> |