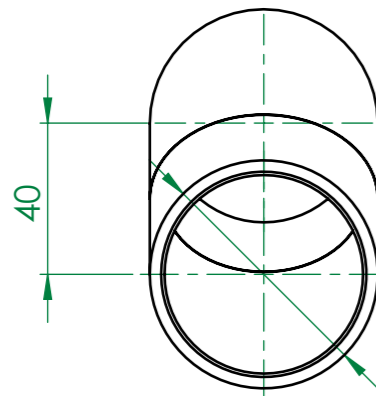
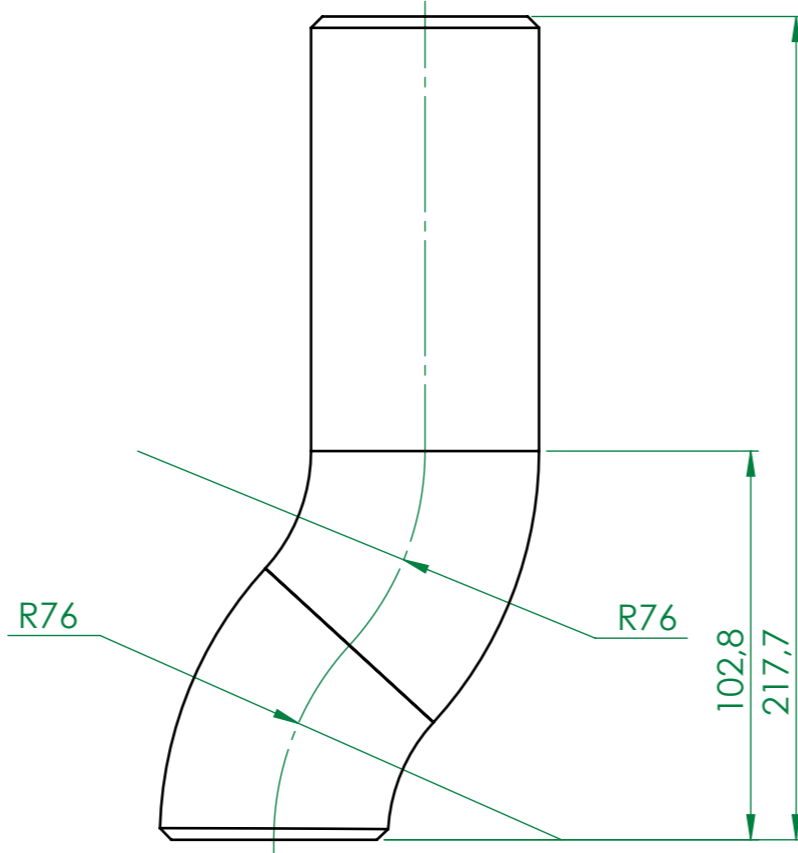
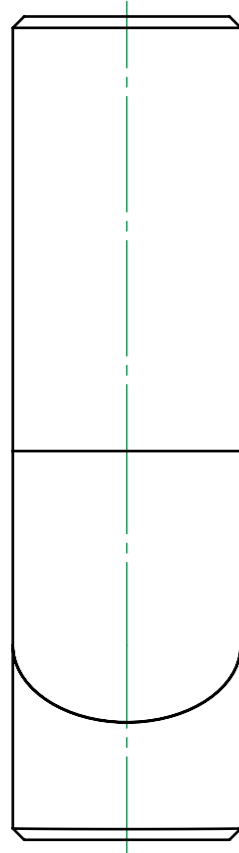
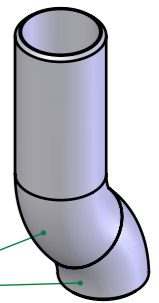



REVISIONS				
ZONE	REV.	DESCRIPTION	DATE	AUTHOR
	A	CREATION	28/06/2013	M. DELBECQ



Ø 60,30  
SCHEDULE 40S

standard ANSI  
45° long radius elbows



 <p>ZI du prat Rue des frères Mongolfier F-56000 Vannes</p> <p>Tel(33) 02.97.01.08.80 Fax (33)02.97.01.08.81 EMAIL Contact@sigmaphi.fr</p>	Name	Date	
	Drawing	M. DELBECQ	24/09/2013
	Checked		
	Approved		
<p><b>703-Helium-Vessel</b></p> <p><b>HELIUM PIPES</b></p>	MATERIAL:	304L (X2CrNi18-9)	
	Trait.:		
	Roughness :		
	Tol Gen	±1	
<p>DWG NO.</p> <p><b>318711-JLA-703-008</b></p>	Supplier:		
	Weight:	1.23 Kg	
	File name:	318711-JLA-703-008	
<p>This drawing may not be used without special licence or authorisation express (Law of the 11 march 1957)</p>		<p>Rev:</p> <p><b>A</b></p>	
<p>⊕ → A3 SCALE:1:2 SHEET 1 OF 1</p>			