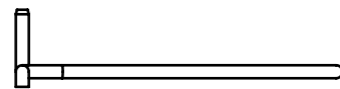
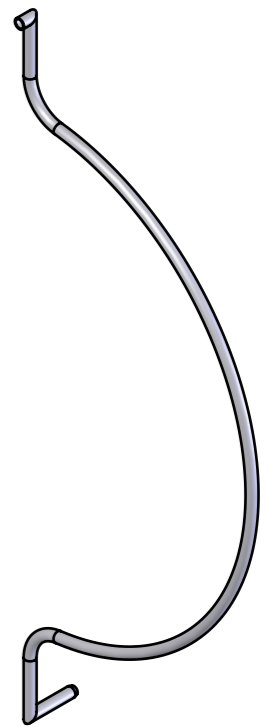
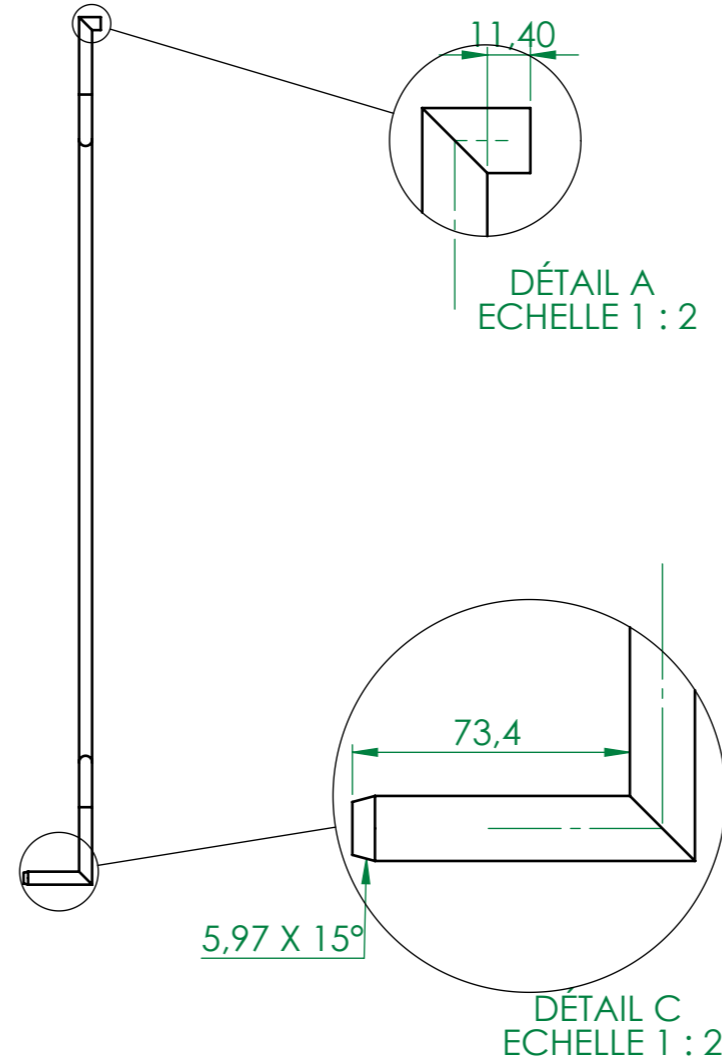
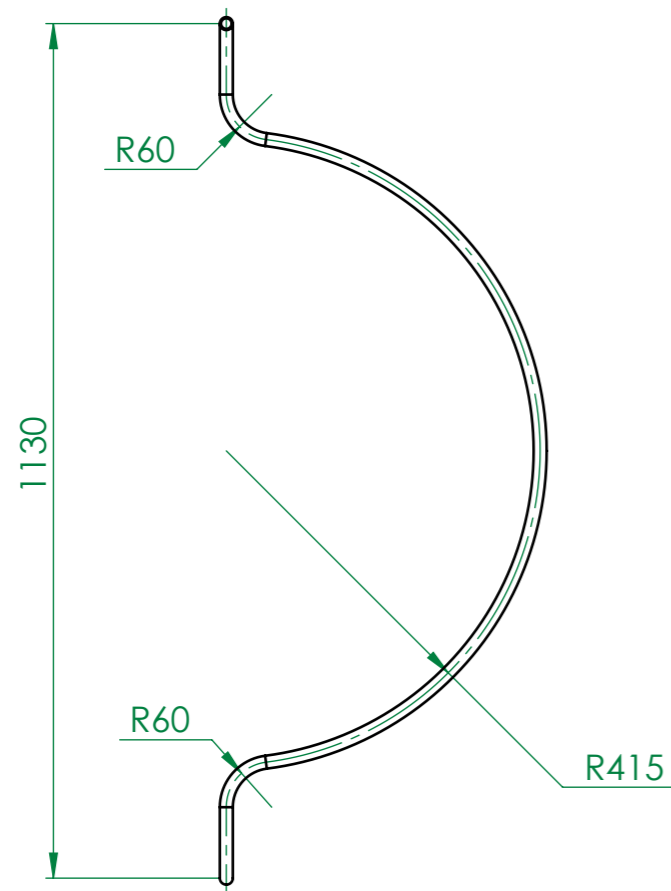




REVISIONS				
ZONE	REV.	DESCRIPTION	DATE	AUTHOR
	A	CREATION	10/07/2013	M. DELBECQ



NOTE: part not concerned by ASME requirements

 ZI du prat Rue des frères Mongolfier F-56000 Vannes Tel(33) 02.97.01.08.80 Fax (33)02.97.01.08.81 EMAIL Contact@sigmaphi.fr	Name	Date
	Drawing <b>M. DELBECQ</b>	24/09/2013
	Checked	
	Approved	
	MATERIAL: <b>304L (X2CrNi18-9)</b>	
	Trait.:	
<b>703-Helium-Vessel</b>	Roughness :	
	Tol Gen	
	Supplier:	
<b>Internal piping</b>	Weight: <b>1.03 Kg</b>	
	File name:318711-JLA-703-010	
DWG NO. <b>318711-JLA-703-010</b>	Rev: <b>A</b>	
This drawing may not be used without special licence or authorisation express (Law of the 11 march 1957)		 A3 SCALE:1:10 SHEET 1 OF 1