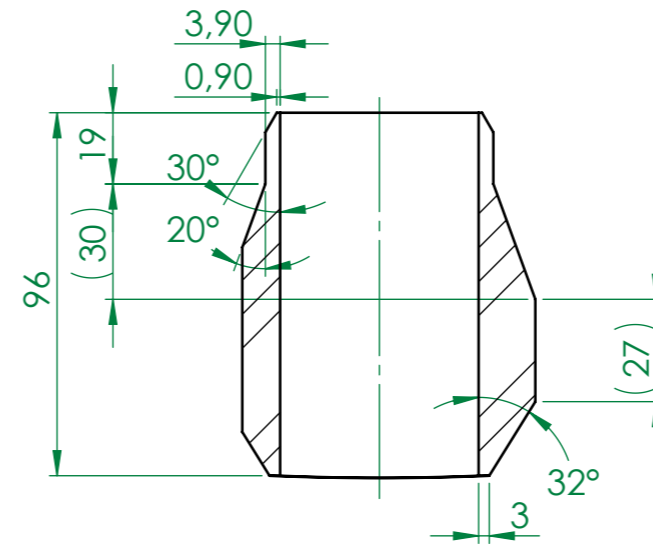
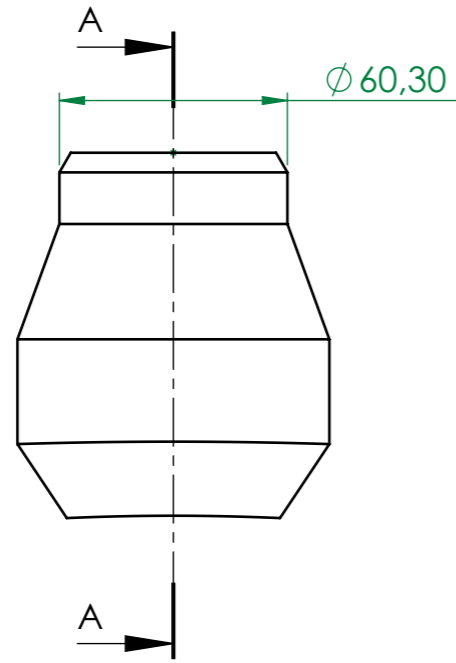
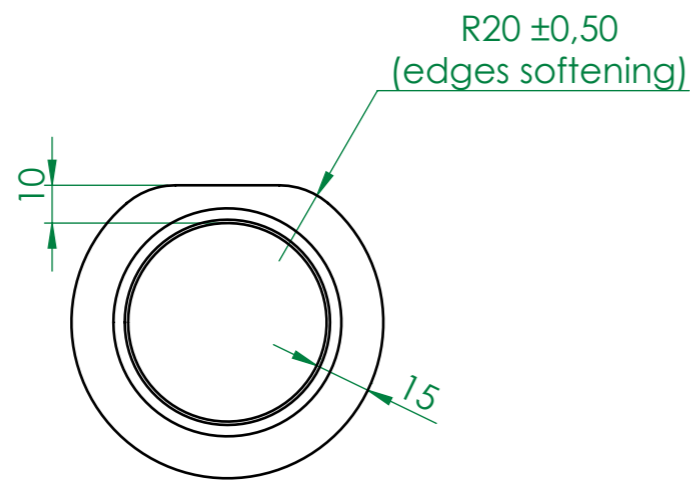
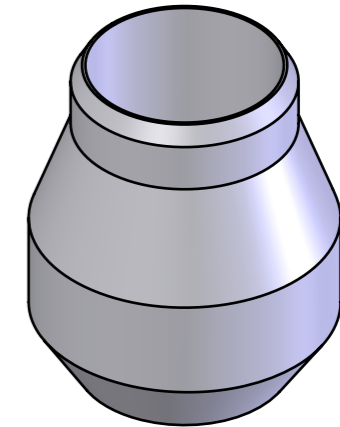




REVISIONS				
ZONE	REV.	DESCRIPTION	DATE	AUTHOR
	A	CREATION	26/08/2013	M. DELBECQ



COUPE A-A



 <p>ZI du prat Rue des frères Mongolfier F-56000 Vannes</p> <p>Tel(33) 02.97.01.08.80 Fax (33)02.97.01.08.81 EMAIL Contact@sigmaphi.fr</p>	Name	Date
	Drawing M. DELBECQ	25/09/2013
	Checked	
	Approved	
<p>703-Helium-Vessel</p> <p>Socolé</p>	MATERIAL:	304L (X2CrNi18-9)
	Trait.:	
	Roughness:	
	Tol Gen	±0.5
	Supplier:	
	Weight:	1.46 Kg
	File name:318711-JLA-703-013	
DWG NO.	Rev:	
318711-JLA-703-013	A	
<p>This drawing may not be used without special licence or authorisation express (Law of the 11 march 1957)</p>		
		<p>A3 SCALE:1:2 SHEET 1 OF 1</p>