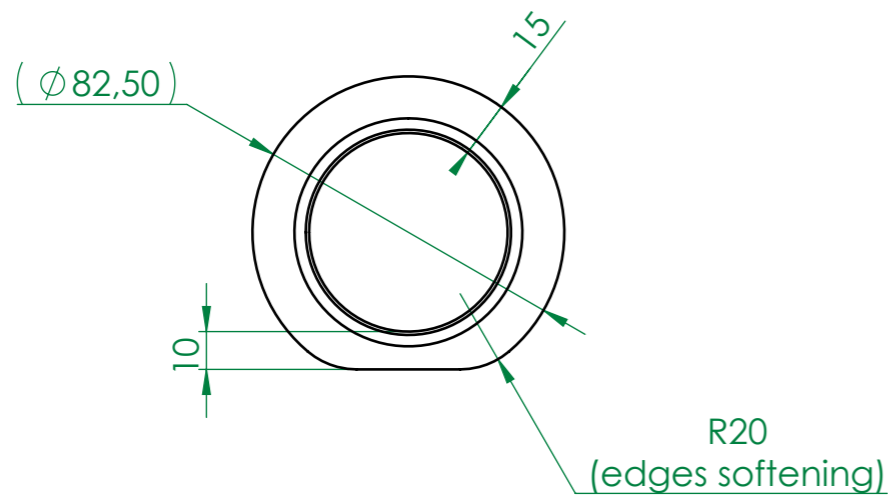
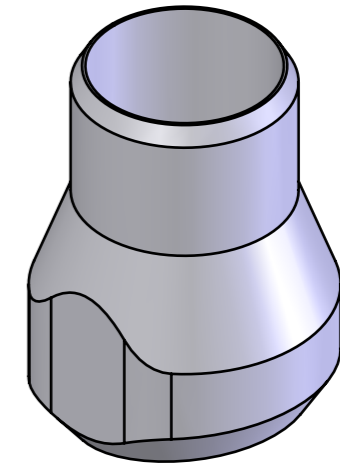
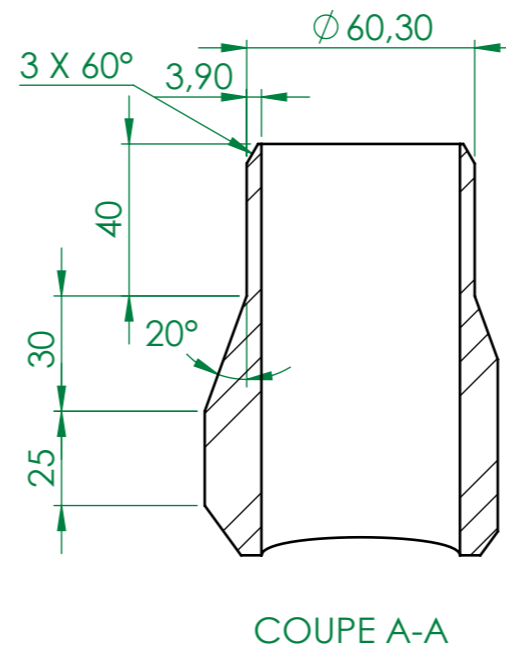
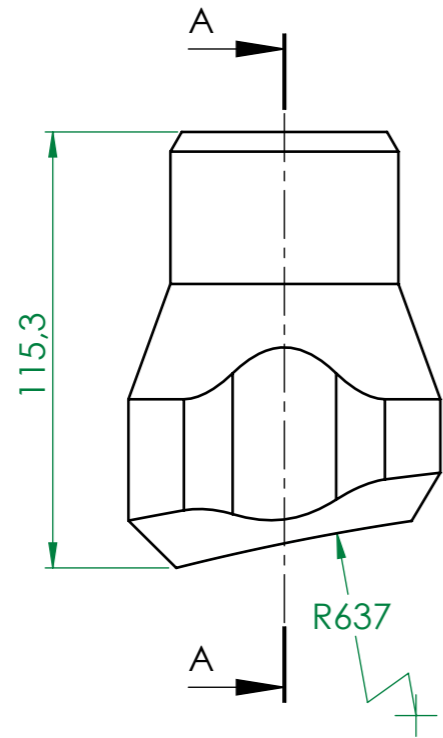




REVISIONS				
ZONE	REV.	DESCRIPTION	DATE	AUTHOR
	A	CREATION	26/08/2013	M. DELBECQ



 <p>ZI du prat Rue des frères Mongolfier F-56000 Vannes</p> <p>Tel(33) 02.97.01.08.80 Fax (33)02.97.01.08.81 EMAIL Contact@sigmaphi.fr</p>	Name	Date	
	Drawing	M. DELBECQ	25/09/2013
	Checked		
	Approved		
<p>703-Helium-Vessel</p>	MATERIAL:	304L (X2CrNi18-9)	
	Trait.:		
	Roughness :		
	Tol Gen	±0.5	
<p>Socolé #3</p>	Supplier:		
	Weight:	1.47 Kg	
File name:318711-JLA-703-014			
DWG NO.	Rev:		
318711-JLA-703-014	A		
<p>This drawing may not be used without special licence or authorisation express (Law of the 11 march 1957)</p>			
		<p>A3 SCALE:1:2 SHEET 1 OF 1</p>	