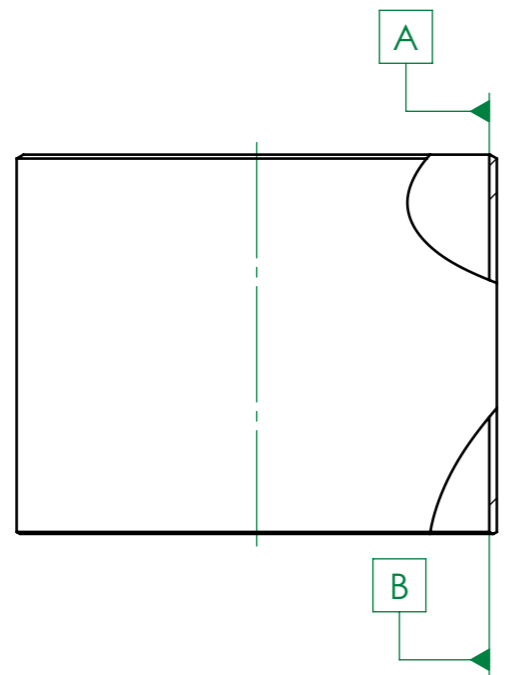
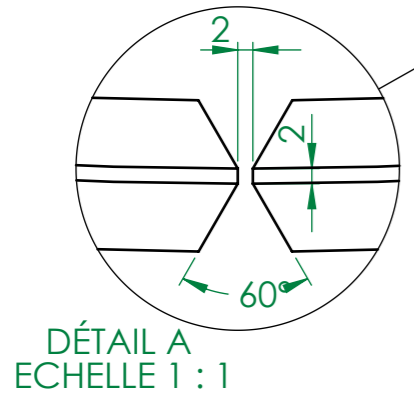
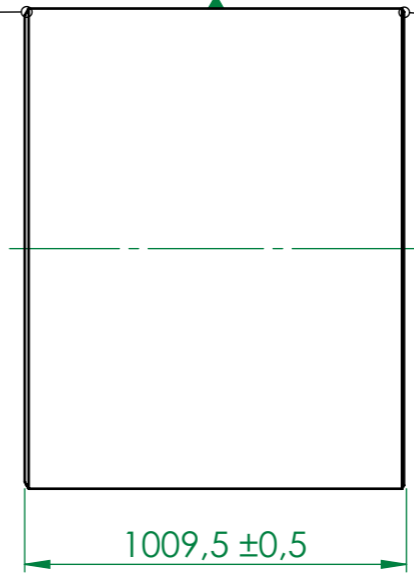
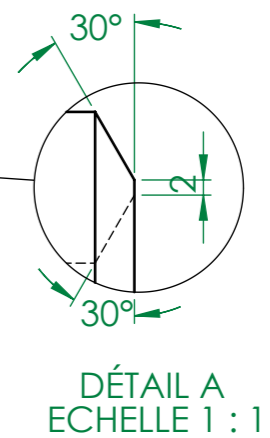
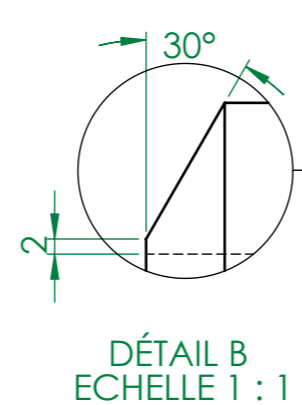
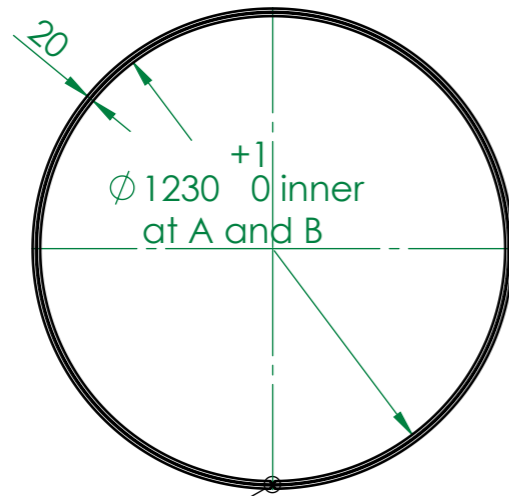
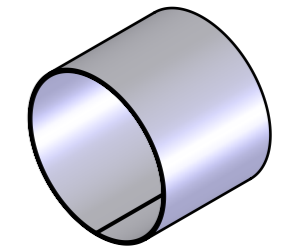


REVISIONS				
ZONE	REV.	DESCRIPTION	DATE	AUTHOR
	A	CREATION	16/09/2013	M. DELBECQ



A and B have to be
 considered as surfaces
 from ends to 20mm



 ZI du prat Rue des frères Mongolfier F-56000 Vannes Tel(33) 02.97.01.08.80 Fax (33)02.97.01.08.81 EMAIL Contact@sigmaphi.fr	Name	M. DELBECQ	Date	25/09/2013
	Drawing			
	Checked			
	Approved			
	MATERIAL:	304L (X2CrNi18-9)		
	Trait.:	SEE NOTE		
	Roughness:	SEE NOTE		
	Tol Gen	SEE NOTE		
	Supplier:			
	Weight:	616.97 Kg		
	File name:	318711-JLA-703-015		
DWG NO.	318711-JLA-703-015			Rev:
				A
This drawing may not be used without special licence or authorisation express (Law of the 11 march 1957)				A3 SCALE:1:20 SHEET 1 OF 1