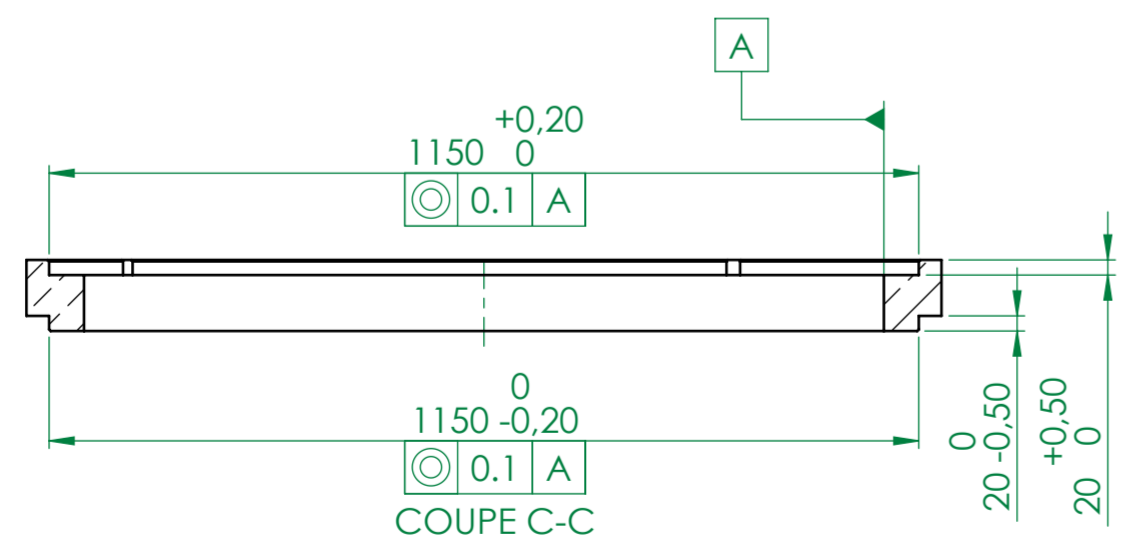
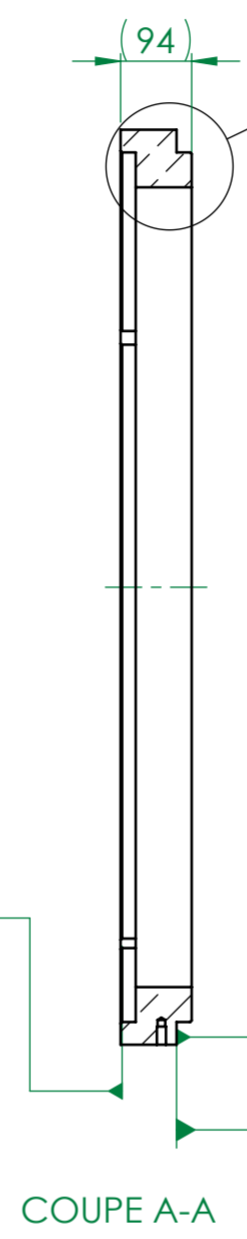
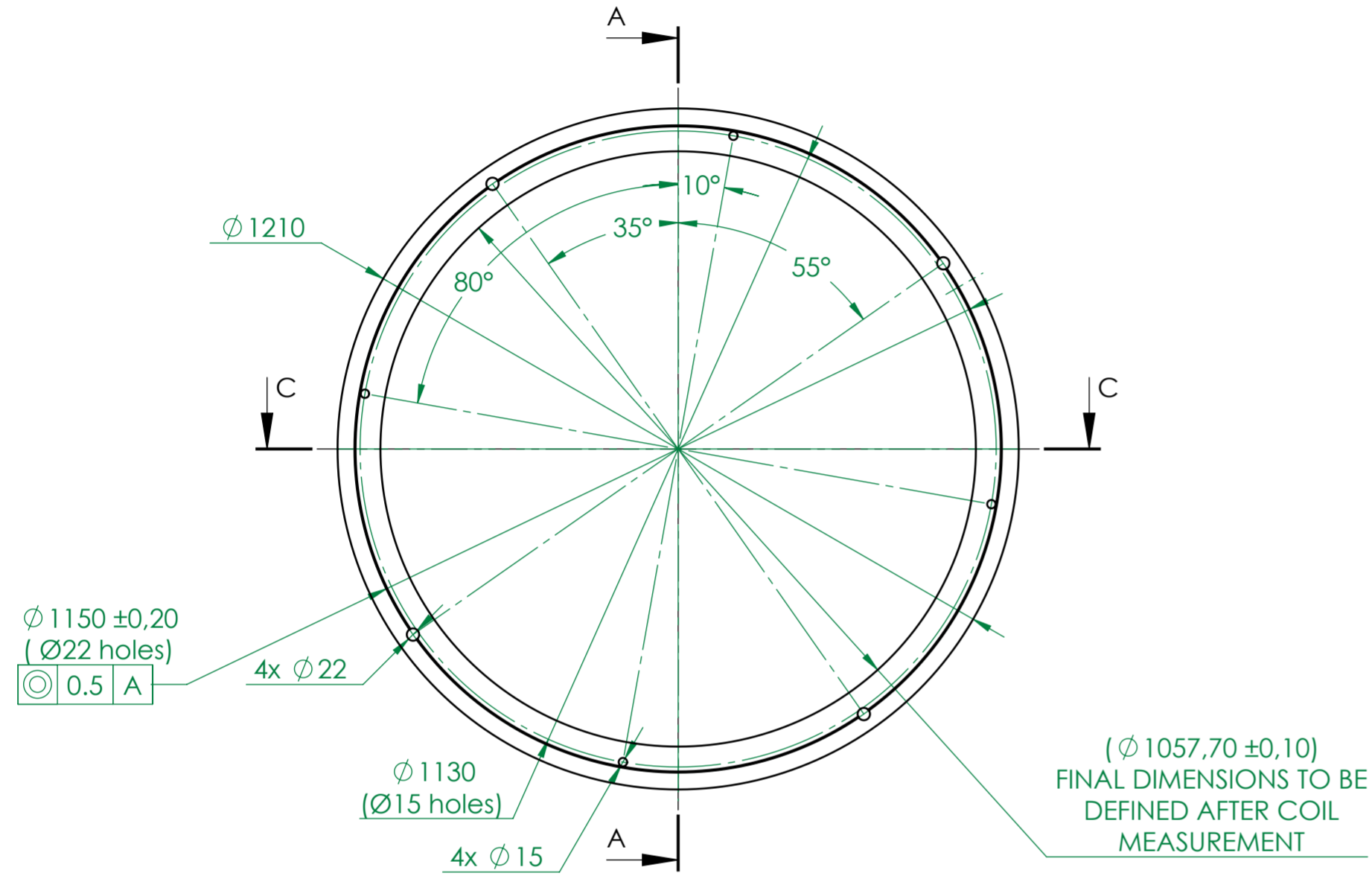
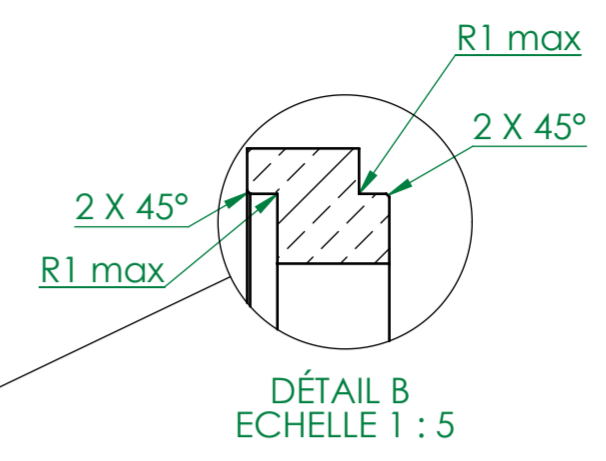
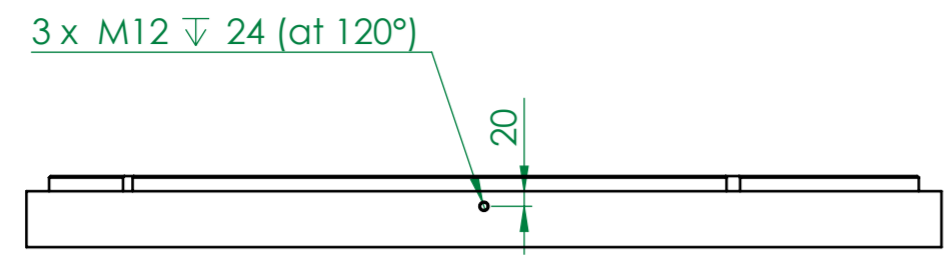


REVISIONS				
ZONE	REV.	DESCRIPTION	DATE	AUTHOR
	A	CREATION	03/07/2013	M. DELBECQ



NOTE:  
State of delivery: **H12**  
Anodization thickness ≥ 40 μm  
Insulation voltage : ≥ 1000 V dc

<p><b>SIGMAPHI</b> ZI du prial Rue des frères Mongollier F-56000 Vannes</p> <p>Tel:(33) 02.97.01.08.80 Fax (33)02.97.01.08.81 EMAIL Contact@sigmaphi.fr</p>	Name	M. DELBECQ	Date	24/09/2013
	Drawing			
	Checked			
	Approved			
	MATERIAL:	alu 5083 (EN-AW 5083)		
	Trait.:			
	Roughness :			
	Toi Gen	±1		
	Supplier:			
	Weight:	52.89 Kg		
	File name:	318711-JLA-704-003		
DWG NO.	<b>318711-JLA-704-003</b>			Rev:
				<b>A</b>
<small>This drawing may not be used without special licence or authorisation express (Law of the 11 march 1957)</small>				