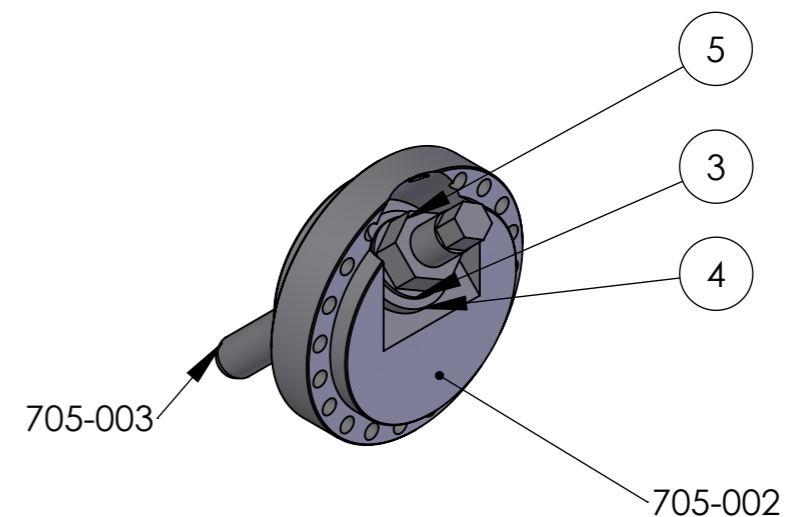
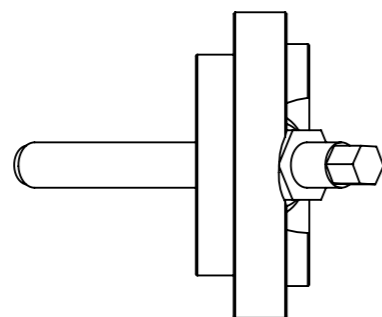
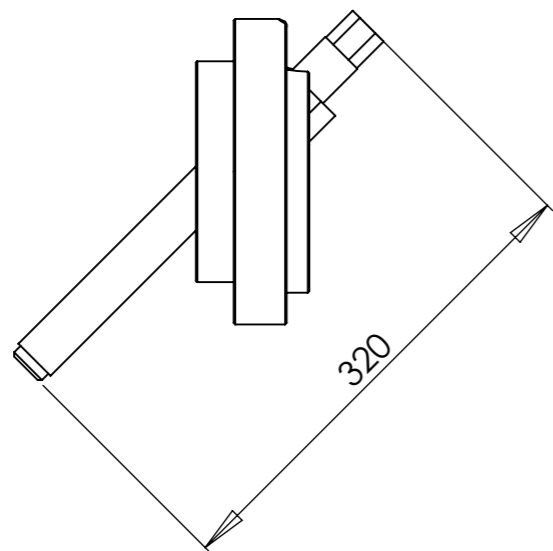



1	2	3	4	5	6	7	8
REP	REFERENCE	DESIGNATION	QTY	REV	MATERIAL	SUPPLIER	MASS (Kg)
705-002	318711-JLA-705-002	Transport plate	1	A	E24		11.33
705-003	318711-JLA-705-003	Threaded rod for transport	1	A	E36		1.76
9003	Rondelle Acier portée sphérique intérieure 30	NVI9000	1		Zingué steel /classe 8.8 acier		
9004	Rondelle Acier portée sphérique extérieure 30	NVI9000	1		Zingué steel /classe 8.8 acier		
9005	Ecrou H M 30 Acier Zingué	NVIEC0029	1				



REVISIONS				
ZONE	REV.	DESCRIPTION	DATE	APPROUVE
	A	CREATION	08/07/2013	M. DELBECQ

 <p>ZI du prat Rue des frères Mongolfier F-56000 Vannes</p> <p>Tel(33) 02.97.01.08.80 Fax (33)02.97.01.08.81 EMAIL Contact@sigmaphi.fr</p>	Name	Date	
	Drawing	M. DELBECQ	24/09/2013
	Checked		
	Approved		
	MATERIAL:	See assembly	
	Trait.:		
QPOLE	Roughness :		
	Tol Gen		
	Supplier:		
TRANSPORT SUSPENSION	Weight:	13.64 Kg	
		0.00	
	File name:	318711-JLA-705-001	
DWG NO.	318711-JLA-705-001		
	Rev:	A	
This drawing may not be used without special licence or authorisation express (Law of the 11 march 1957)			
	A3	SCALE:1:5 SHEET 1 OF 1	