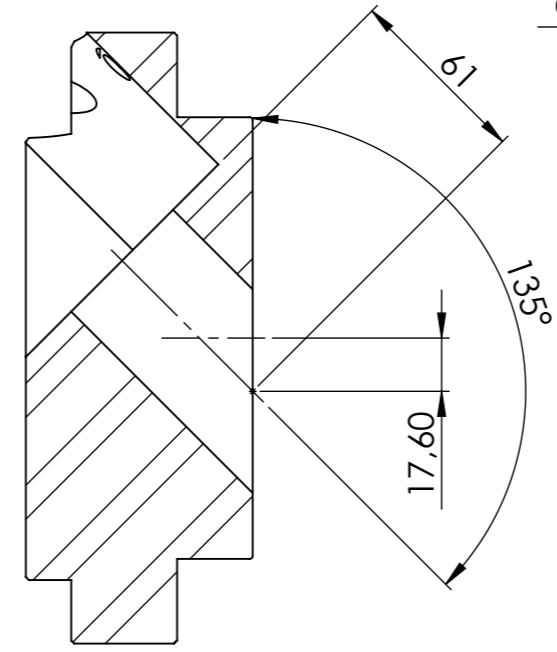
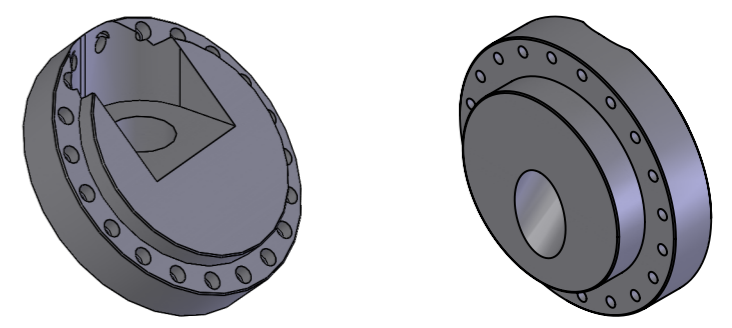
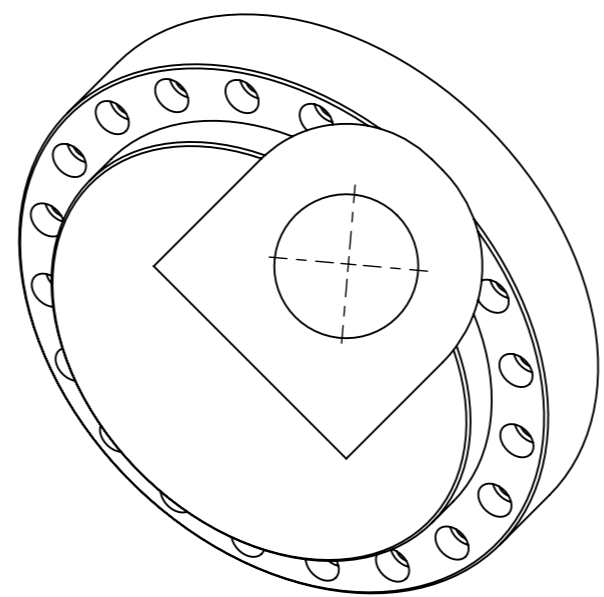
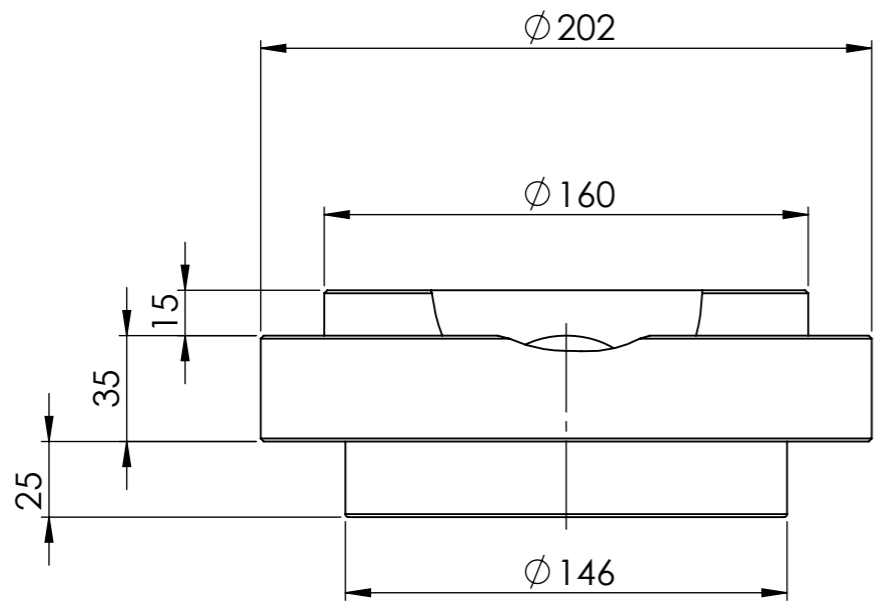
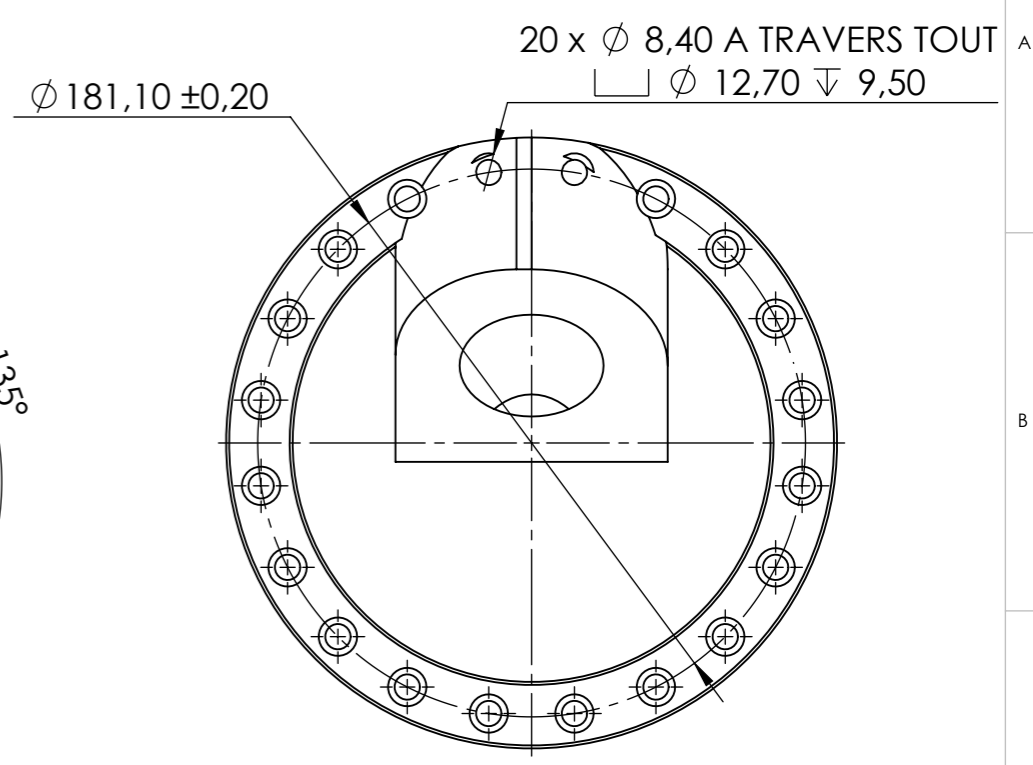




A



COUPE A-A



 ZI du prat Rue des frères Mongolfier F-56000 Vannes Tel(33) 02.97.01.08.80 Fax (33)02.97.01.08.81 EMAIL Contact@sigmaphi.fr	Name	M. DELBECQ	Date	24/09/2013
	Drawing			
	Checked			
	Approved			
	MATERIAL:	E24		
	Trait.:	plating (nickelage)		
	Roughness :			
	Tol Gen	±-0.5		
	Supplier:			
	Weight:	11.33 Kg		
		0.00		
	File name:	318711-JLA-705-002		
DWG NO.	<b>318711-JLA-705-002</b>			Rev:
				<b>A</b>
This drawing may not be used without special licence or authorisation express (Law of the 11 march 1957)				 A3 SCALE:2:5 SHEET 1 OF 1

REVISIONS				
ZONE	REV.	DESCRIPTION	DATE	APPROUVE
	A	CREATION	24/09/2013	M. DELBECQ