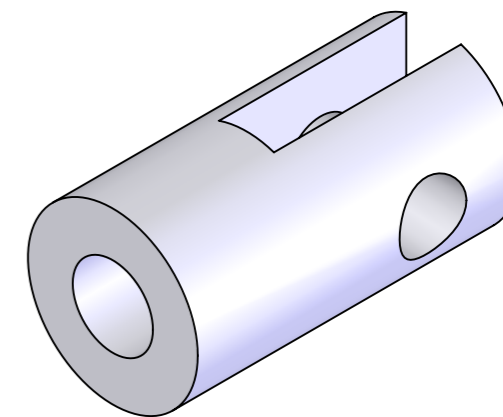
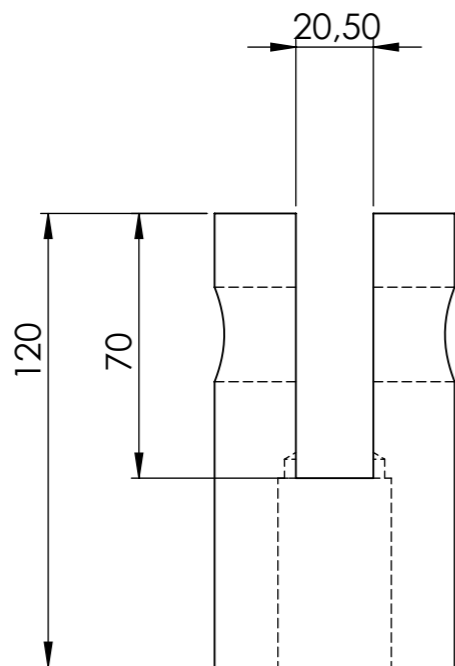
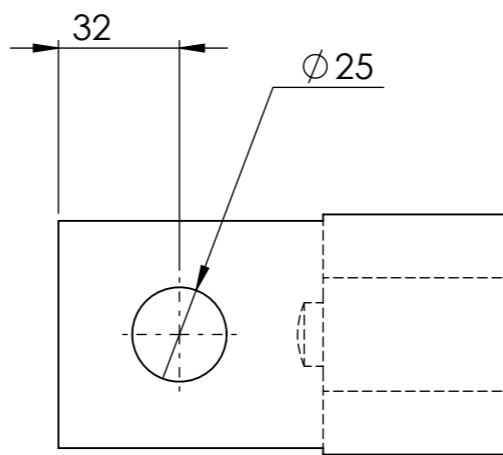
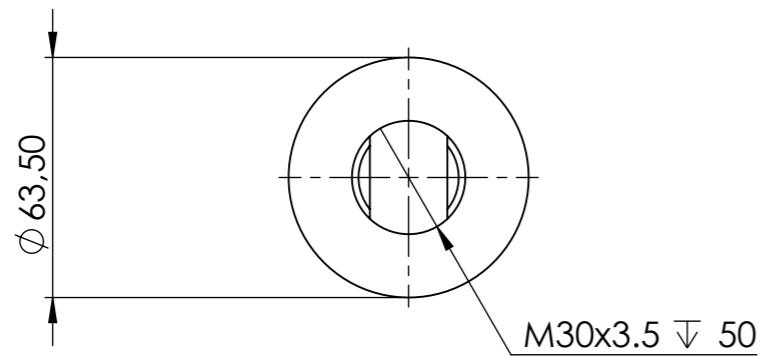




REVISIONS				
ZONE	REV.	DESCRIPTION	DATE	APPROUVE
	A	CREATION	24/09/2013	M. DELBECQ



 <p>ZI du prat Rue des frères Mongolfier F-56000 Vannes</p> <p>Tel(33) 02.97.01.08.80 Fax (33)02.97.01.08.81 EMAIL Contact@sigmaphi.fr</p>	Name	Date
	Drawing M. DELBECQ	24/09/2013
<p>317111-JLA-706</p> <p>Clevis</p>	Checked	
	Approved	
	MATERIAL: Nitronic 50	
	Roughness:	
	Tol Gen +/-0.5	
<p>Weight: 1.87 kg</p>	Supplier:	
	File name:318711-JLA-706-003	
DWG NO. 318711-JLA-706-003	Rev: A	
<p>This drawing may not be used without special licence or authorisation express (Law of the 11 march 1957)</p>		
		<p>A3 SCALE:1:2 SHEET 1 OF 1</p>