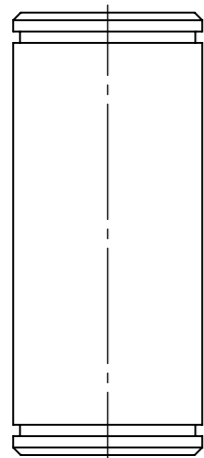
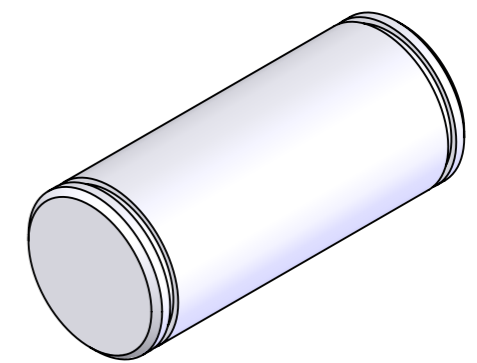
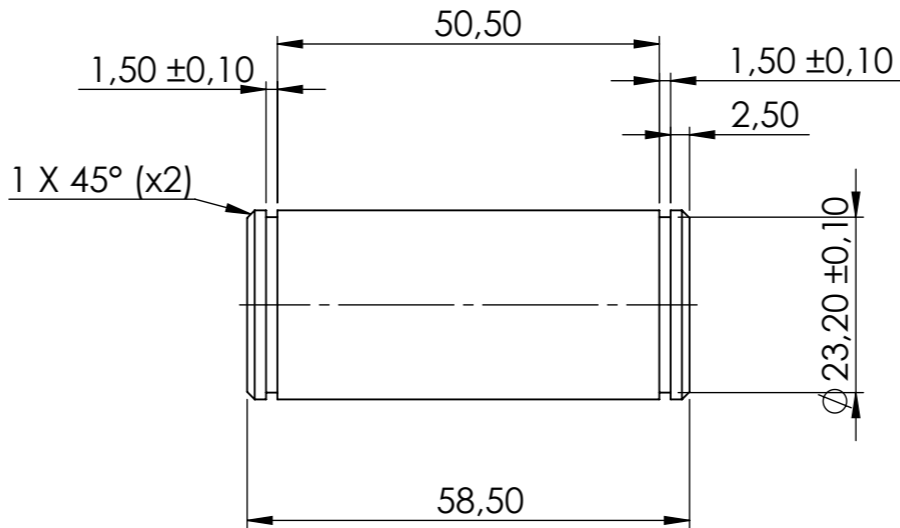
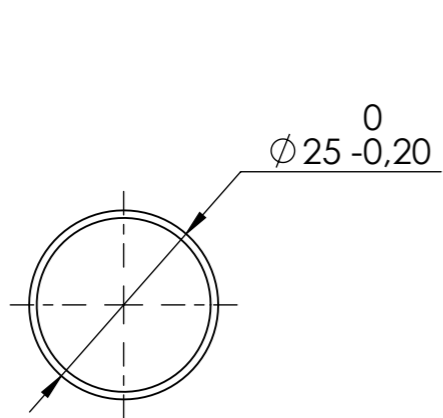


REVISIONS				
ZONE	REV.	DESCRIPTION	DATE	APPROUVE
	A	CREATION	24/09/2013	M. DELBECQ



 ZI du prat Rue des frères Mongolfier F-56000 Vannes Tel(33) 02.97.01.08.80 Fax (33)02.97.01.08.81 EMAIL Contact@sigmaphi.fr	Name	Date
	Drawing <b>M. DELBECQ</b>	<b>24/09/2013</b>
	Checked	
	Approved	
	MATERIAL: <b>Ti-6Al-4V</b>	
	Trait.:	
<b>317111-JLA-706</b>	Roughness :	
	Tol Gen	<b>±0.5</b>
	Supplier:	
<b>PIN</b>	Weight: <b>0.13 Kg</b>	
	<b>0.00</b>	
	File name:318711-JLA-706-004	
DWG NO. <b>318711-JLA-706-004</b>	Rev: <b>A</b>	
This drawing may not be used without special licence or authorisation express (Law of the 11 march 1957)		
	 <b>A3</b>	SCALE:1:1 SHEET 1 OF 1