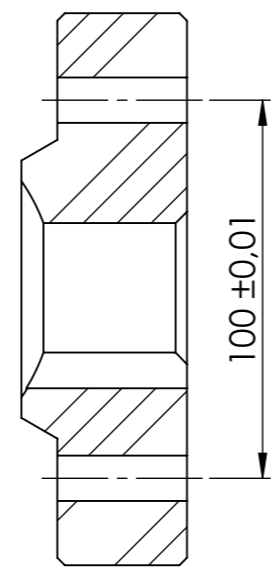
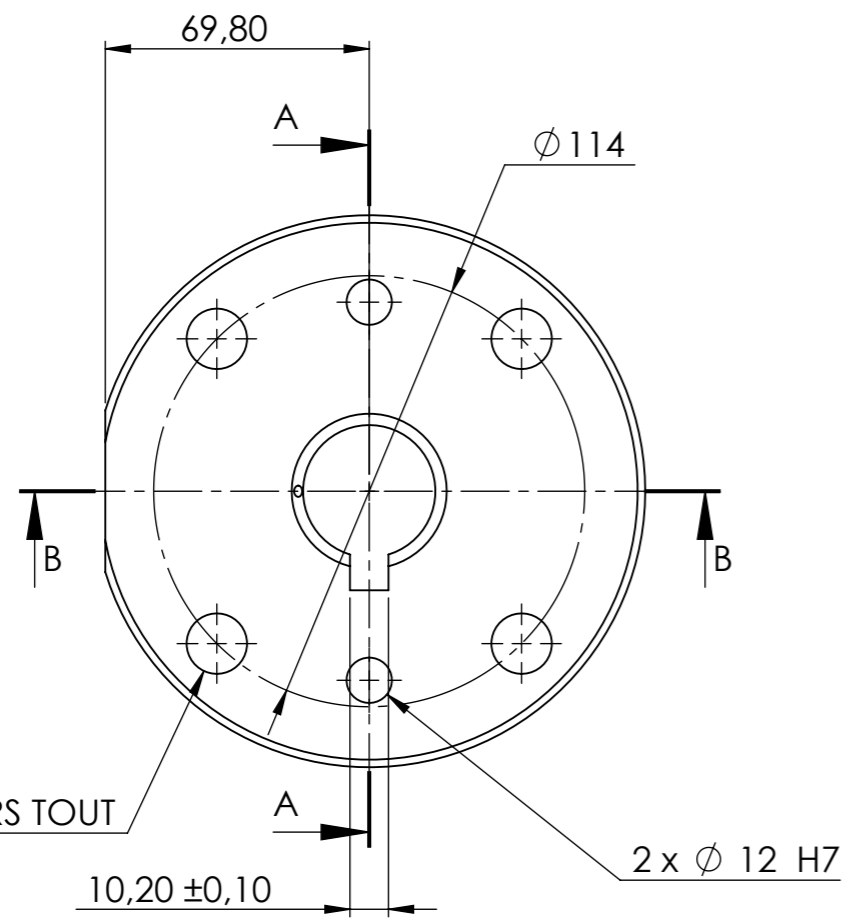
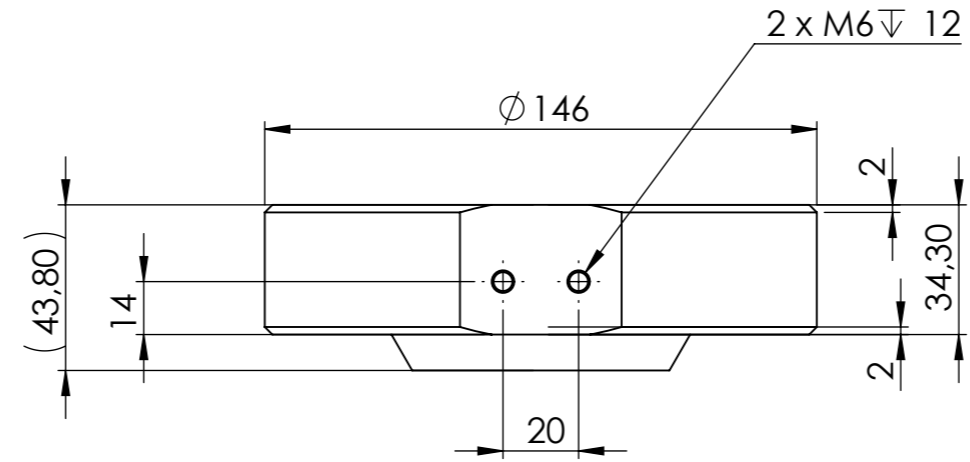
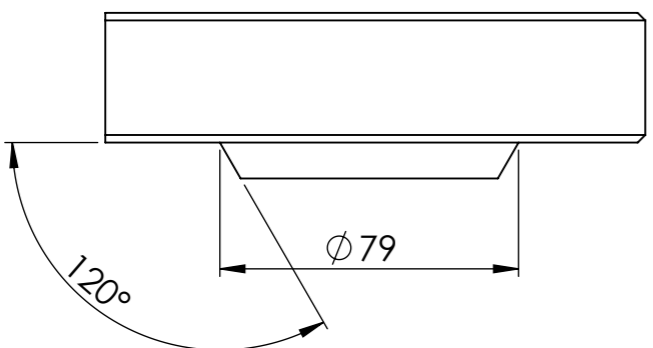
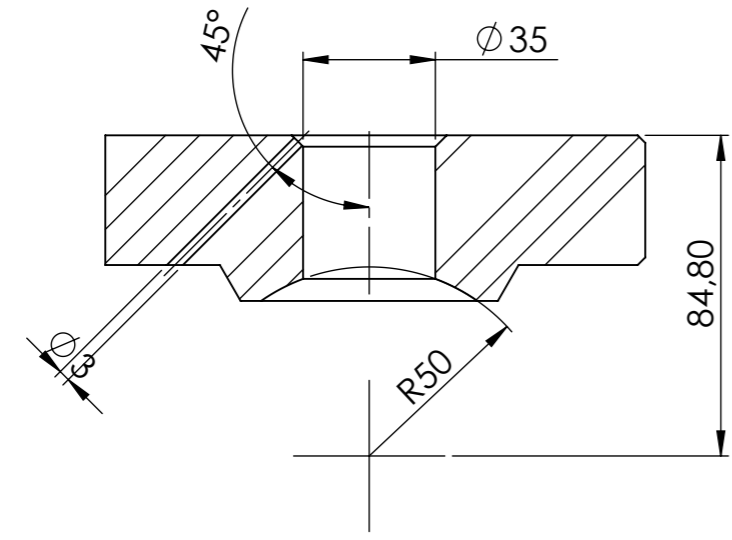
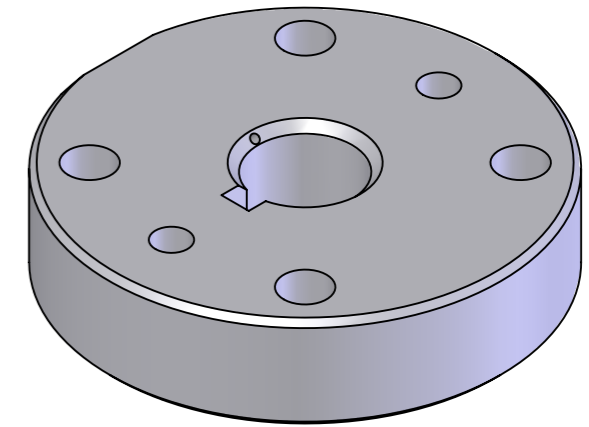



REVISIONS				
ZONE	REV.	DESCRIPTION	DATE	APPROUVE
	A	CREATION	06/11/2012	M. DELBECQ

COUPE B-B



COUPE A-A



 <p>ZI du prat Rue des frères Mongolfier F-56000 Vannes</p> <p>Tel(33) 02.97.01.08.80 Fax (33)02.97.01.08.81 EMAIL Contact@sigmaphi.fr</p>	Name	M. DELBECQ	Date	24/09/2013
	Drawing			
	Checked			
	Approved			
MATERIAL:	304L (X2CrNi18-9)			
Trait.:				
Roughness :				
Tol Gen	±0.5			
Supplier:				
Weight:	4.13 Kg			
	0.00			
File name:318711-JLA-706-006				
DWG NO.	318711-JLA-706-006			Rev:
				A
This drawing may not be used without special licence or authorisation express (Law of the 11 march 1957)				
			SCALE:1:2	SHEET 1 OF 1