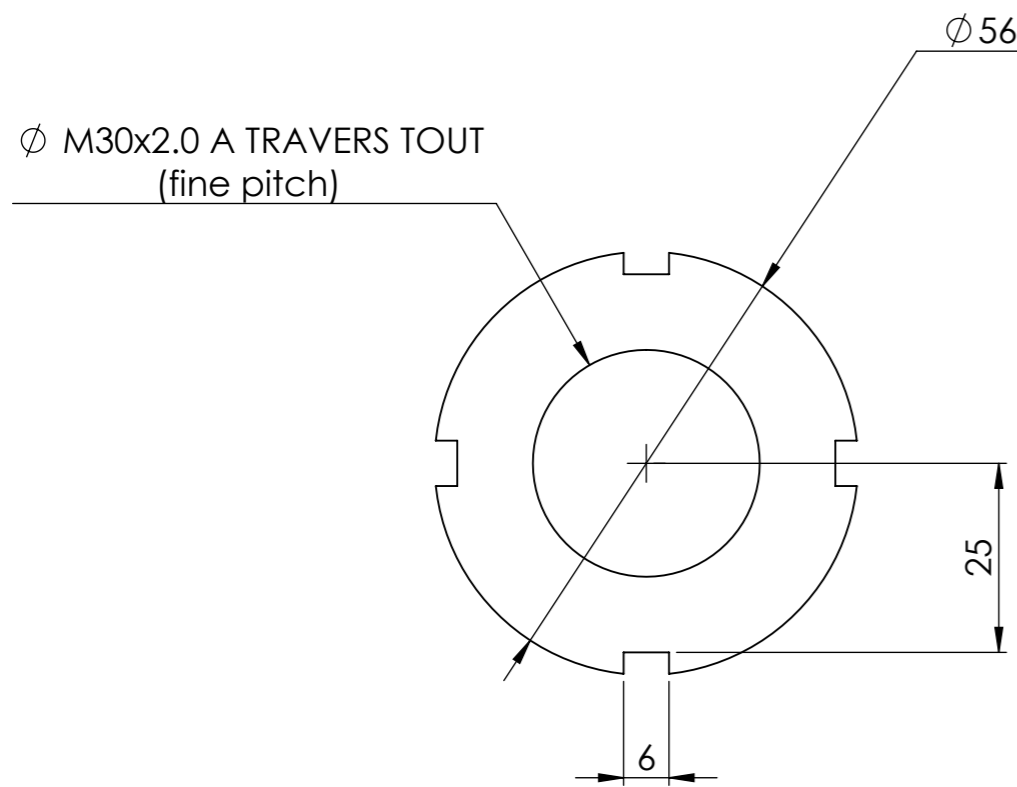
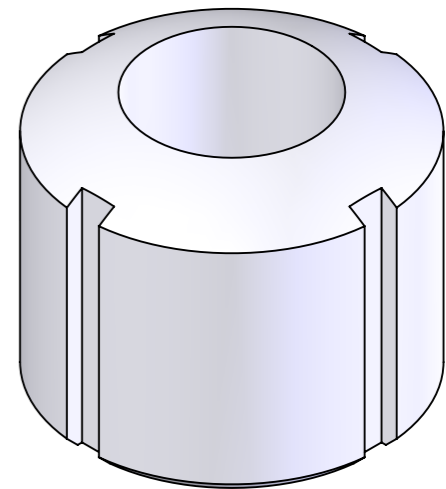
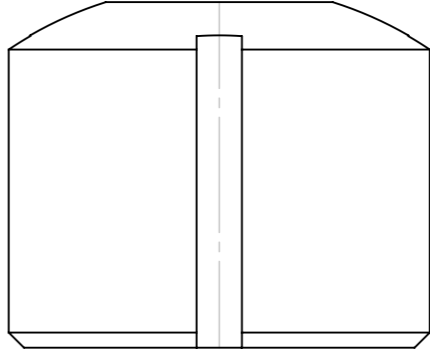
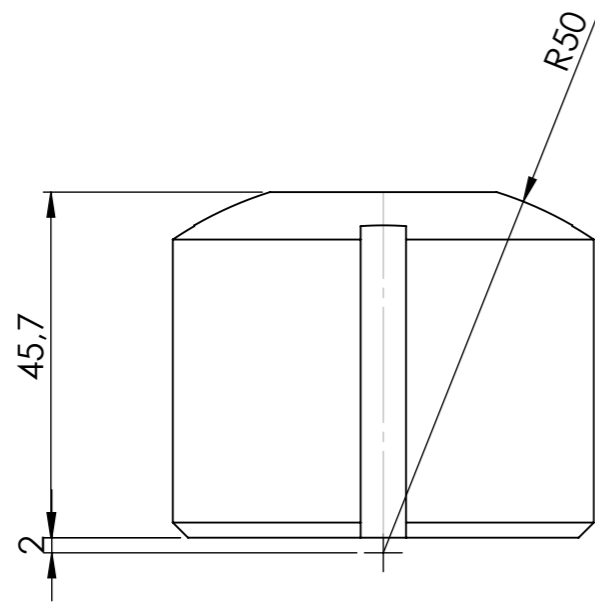


REVISIONS				
ZONE	REV.	DESCRIPTION	DATE	APPROUVE
	A	CREATION	06/11/2012	M. DELBECQ



 <p>ZI du prat Rue des frères Mongolfier F-56000 Vannes</p> <p>Tel(33) 02.97.01.08.80 Fax (33)02.97.01.08.81 EMAIL Contact@sigmaphi.fr</p>	Name	Date
	Drawing M. DELBECQ	24/09/2013
	Checked	
	Approved	
	MATERIAL: Ti-6Al-4V	
	Trait.:	
	Roughness :	
317111-JLA-706	Tol Gen ±0.5	
	Supplier:	
special spherical nut	Weight: 0.32 g	
	File name:318711-JLA-706-008	
DWG NO. 318711-JLA-706-008	Rev: A	
<p>This drawing may not be used without special licence or authorisation express (Law of the 11 march 1957)</p>		 A3 SCALE:1:1 SHEET 1 OF 1