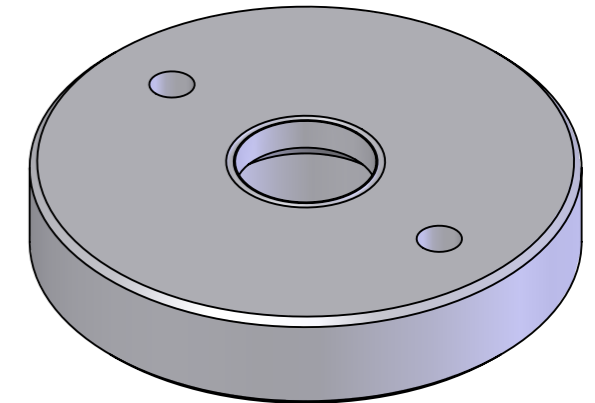
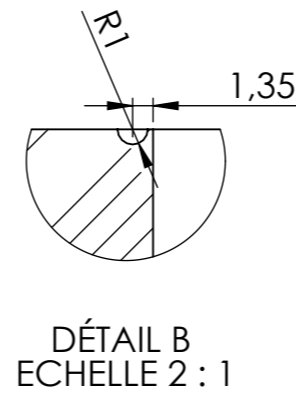
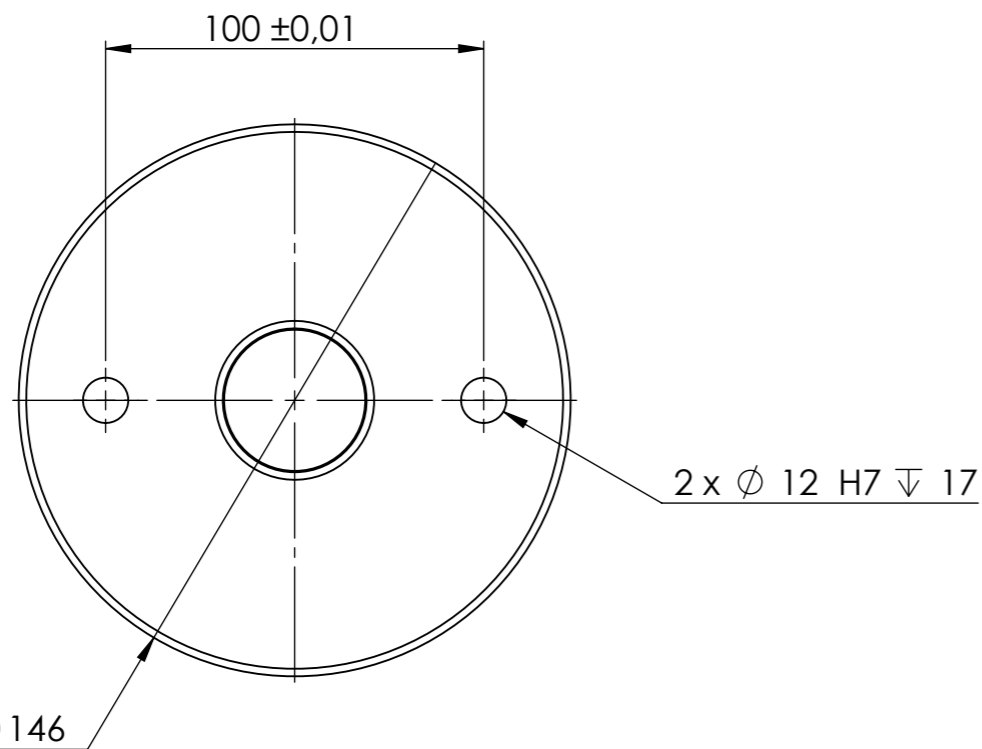
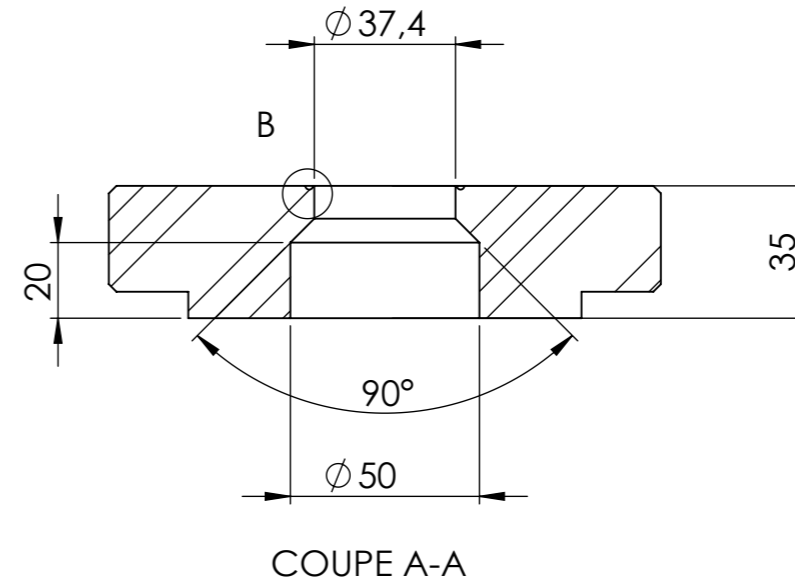
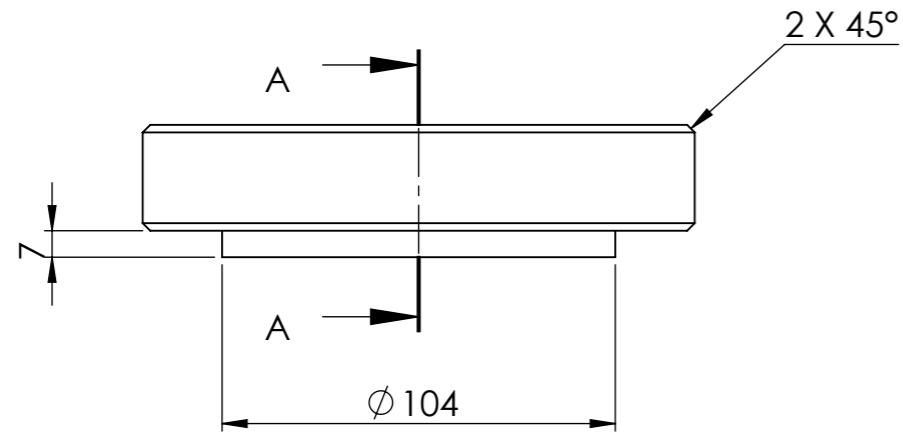


REVISIONS				
ZONE	REV.	DESCRIPTION	DATE	APPROUVE
	A	CREATION	24/09/2013	M. DELBECQ



 <p>ZI du prat Rue des frères Mongolfier F-56000 Vannes</p> <p>Tel(33) 02.97.01.08.80 Fax (33)02.97.01.08.81 EMAIL Contact@sigmaphi.fr</p>	Name	M. DELBECQ	Date	24/09/2013
	Drawing	M. DELBECQ		
	Checked			
	Approved			
<p><b>317111-JLA-706</b></p> <p><b>suspension end</b></p>	MATERIAL:	304L (X2CrNi18-9)		
	Trait.:			
	Roughness :			
	Tol Gen	±0.5		
<p>DWG NO. <b>318711-JLA-706-009</b></p>	Supplier:			
	Weight:	3.66 Kg		
		0.00		
File name:318711-JLA-706-009				
<p>This drawing may not be used without special licence or authorisation express (Law of the 11 march 1957)</p>				<p>SCALE:1:2</p>
			<p>A3</p>	<p>SHEET 1 OF 1</p>