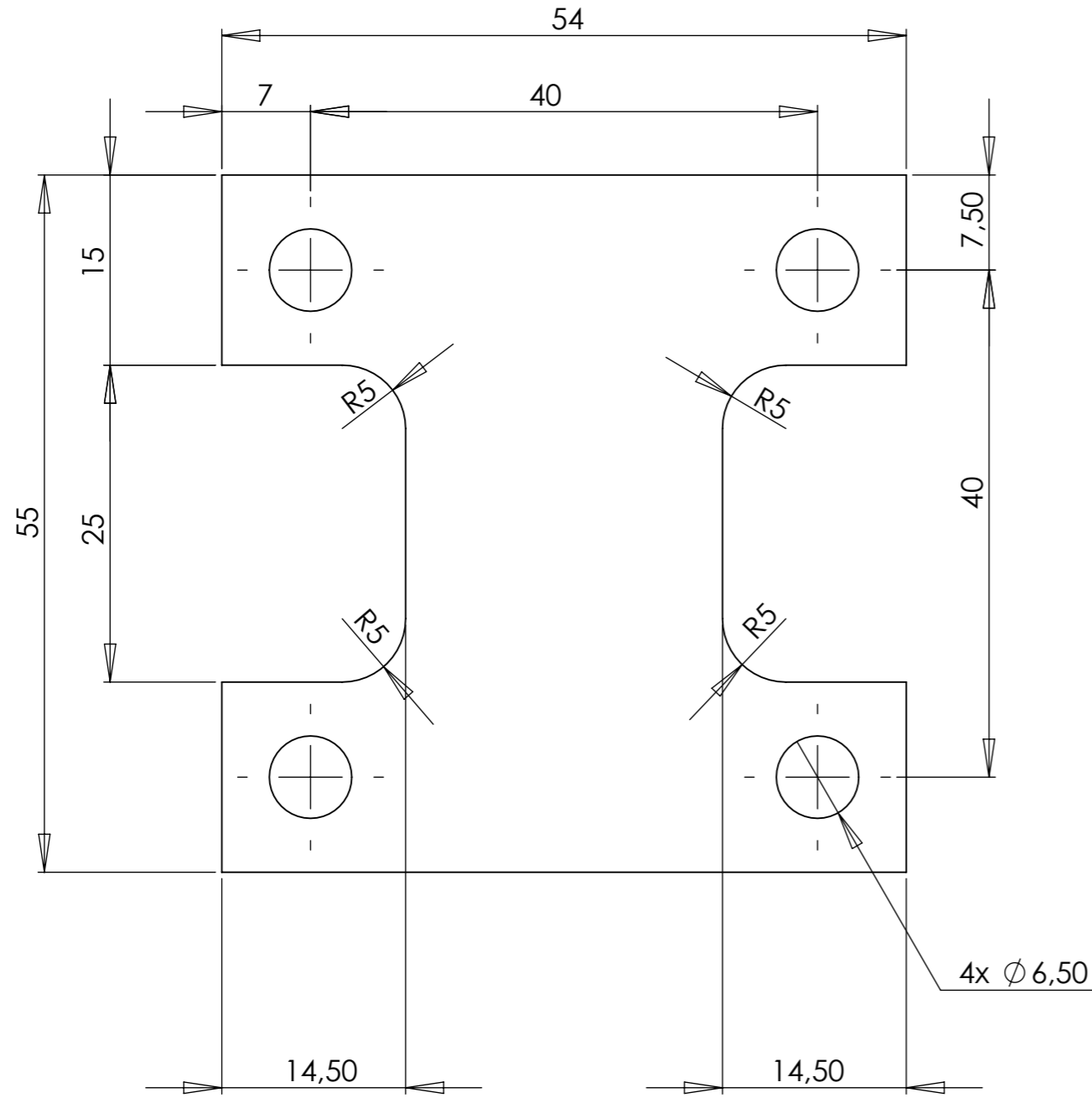
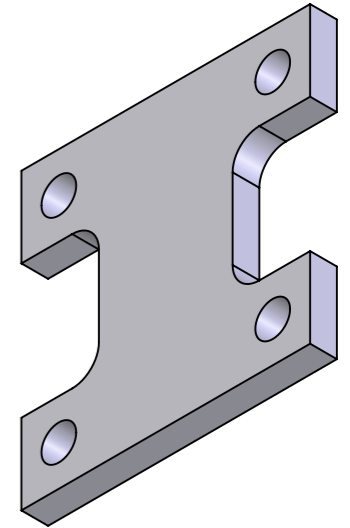
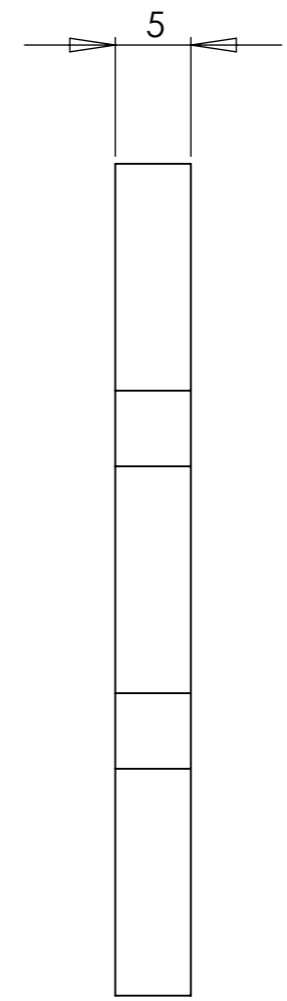




1 2 3 4 5 6 7 8

A B C D E F



REVISIONS				
ZONE	REV.	DESCRIPTION	DATE	APPROUVE
	A	CREATION	24/09/2013	M. DELBECQ



 <p>ZI du prat Rue des frères Mongolfier F-56000 Vannes</p> <p>Tel(33) 02.97.01.08.80 Fax (33)02.97.01.08.81 EMAIL Contact@sigmaphi.fr</p>	Name	M. DELBECQ	Date	24/09/2013
	Drawing	M. DELBECQ		
	Checked			
	Approved			
<p>SUSPENSION</p> <p><i>braid clamp</i></p>	MATERIAL:	304L (X2CrNi18-9)		
	Trait.:			
	Roughness :			
	Tol Gen	±0.5		
	Supplier:			
	Weight:	0.08 Kg		
	File name:	318711-JLA-706-011		
DWG NO.	318711-JLA-706-011			Rev:
				A
<p>This drawing may not be used without special licence or authorisation express (Law of the 11 march 1957)</p>				 <p>A3 SCALE:2:1 SHEET 1 OF 1</p>

1 2 3 4