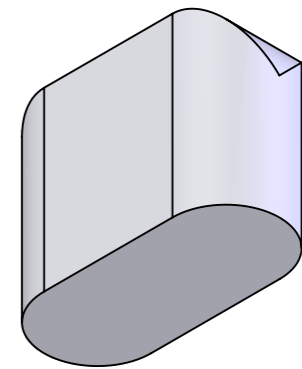
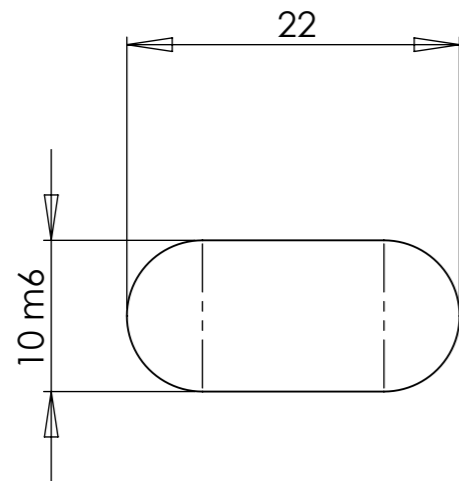
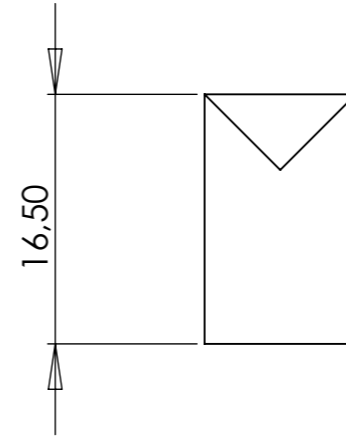
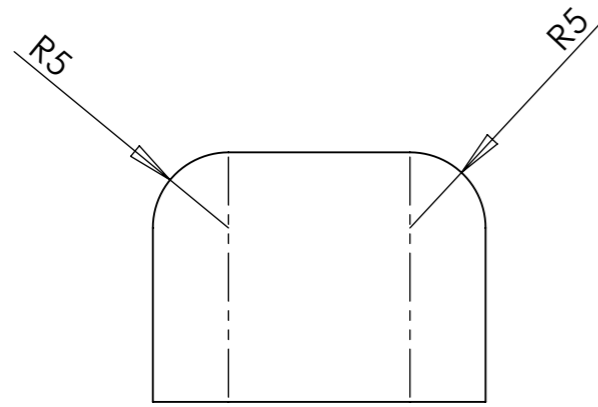




REVISIONS				
ZONE	REV.	DESCRIPTION	DATE	APPROUVE
	A	CREATION	24/09/2013	M. DELBECQ



 <p>ZI du prat Rue des frères Mongolfier F-56000 Vannes</p> <p>Tel(33) 02.97.01.08.80 Fax (33)02.97.01.08.81 EMAIL Contact@sigmaphi.fr</p>	Name	Date	
	Drawing	M. DELBECQ	24/09/2013
	Checked		
<p><b>SUSPENSION</b></p> <p><b>Key</b></p>	Approved		
	MATERIAL:	Nitronic 50	
	Trait.:		
	Roughness :		
	Tol Gen	±0.1	
<p>DWG NO.</p> <p><b>318711-JLA-706-013</b></p>	Supplier:		
	Weight:	0.03 Kg	
		0.00	
File name:318711-JLA-706-013		Rev:	<b>A</b>
<p>This drawing may not be used without special licence or authorisation express (Law of the 11 march 1957)</p>			<p>A3 SCALE:2:1 SHEET 1 OF 1</p>