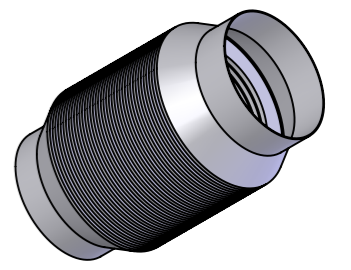
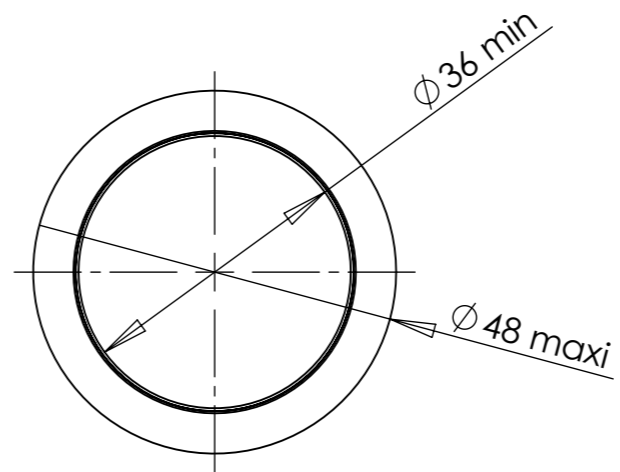
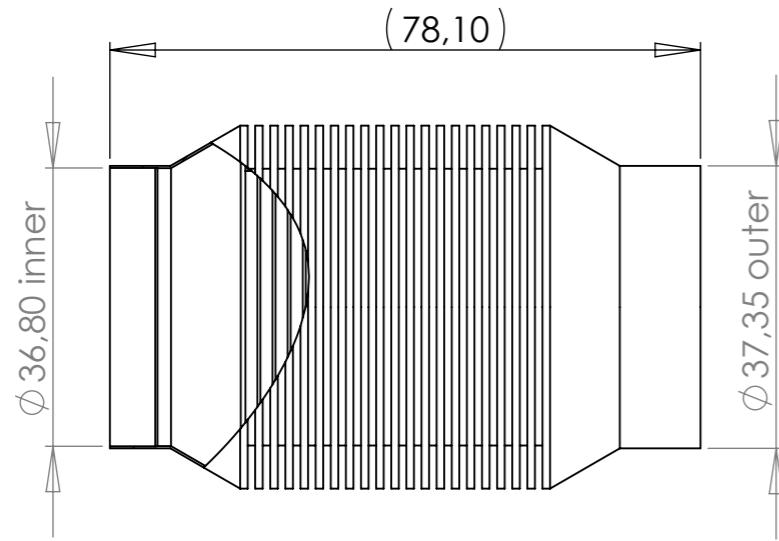

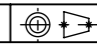


REVISIONS				
ZONE	REV.	DESCRIPTION	DATE	APPROUVE
	A	CREATION	24/09/2013	M. DELBECQ



OUTER PRESSURE: 1 ATM  
 INNER PRESSURE: VACUUM  
 OPERATING TEMPERATURE: 0°C TO 30°C

 ZI du prat Rue des frères Mongolfier F-56000 Vannes Tel(33) 02.97.01.08.80 Fax (33)02.97.01.08.81 EMAIL Contact@sigmaphi.fr	Name	Date	
	Drawing	M. DELBECQ	24/09/2013
	Checked		
	Approved		
<b>SUSPENSION</b>  <b>Suspension bellow</b>	MATERIAL:	304L (X2CrNi18-9)	
	Trait.:		
	Roughness :		
	Tol Gen	±0.5	
DWG NO. <b>318711-JLA-706-014</b>	Supplier:		
	Weight:	0.10 Kg	
	File name:	318711-JLA-706-014	
This drawing may not be used without special licence or authorisation express (Law of the 11 march 1957)		Rev: <b>A</b>	
 A3 SCALE:1:1 SHEET 1 OF 1			