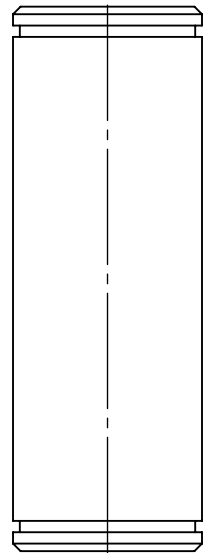
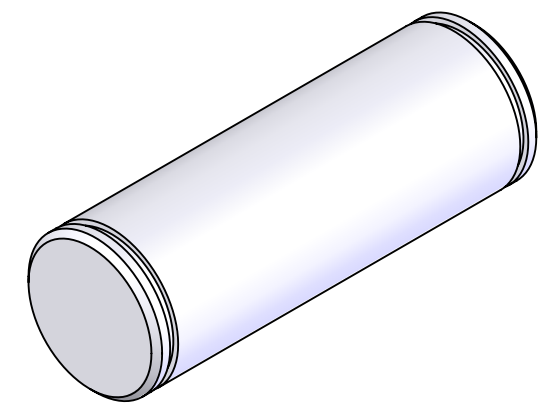
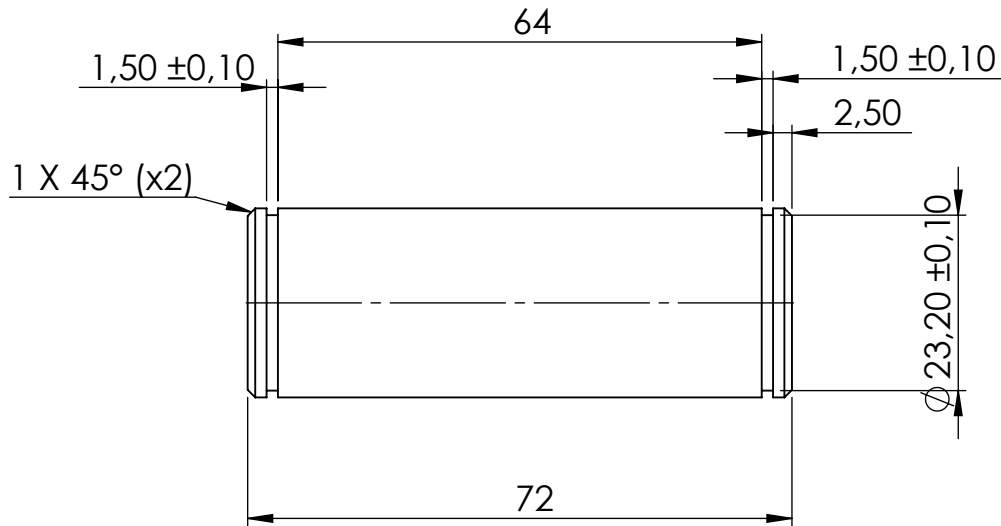
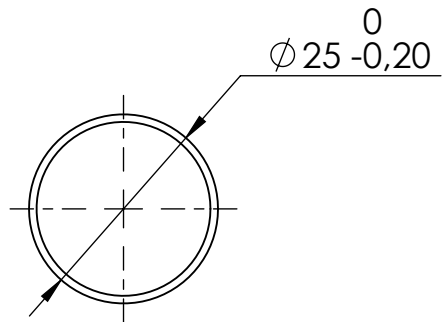


REVISIONS				
ZONE	REV.	DESCRIPTION	DATE	APPROUVE
	A	creation	06/11/2012	



 ZI du prat Rue des frères Mongolfier F-56000 Vannes Tel(33) 02.97.01.08.80 Fax (33)02.97.01.08.81 EMAIL Contact@sigmaphi.fr	Name	Date
	Drawing M. DELBECQ	24/09/2013
	Checked	
	Approved	
	MATERIAL: Ti-6Al-4V	
	Trait.:	
317111-JLA-706	Roughness :	
	Tol Gen ±0.5	
	Supplier:	
PIN	Weight: 0.16 Kg	
	0.00	
	File name:318711-JLA-706-016	
DWG NO. 318711-JLA-706-016	Rev:	A
This drawing may not be used without special licence or authorisation express (Law of the 11 march 1957)		
	 A3	SCALE:1:1 SHEET 1 OF 1