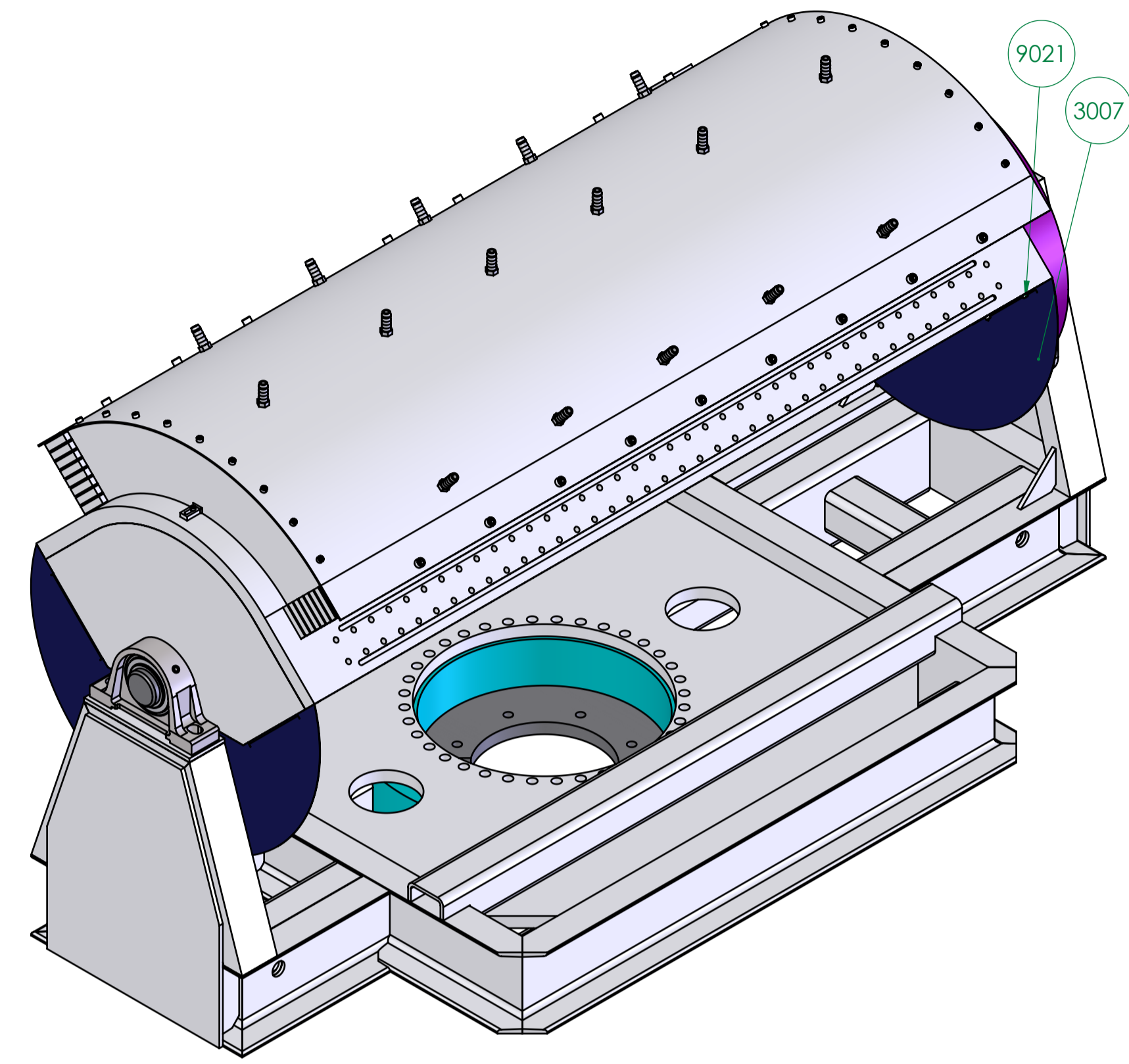
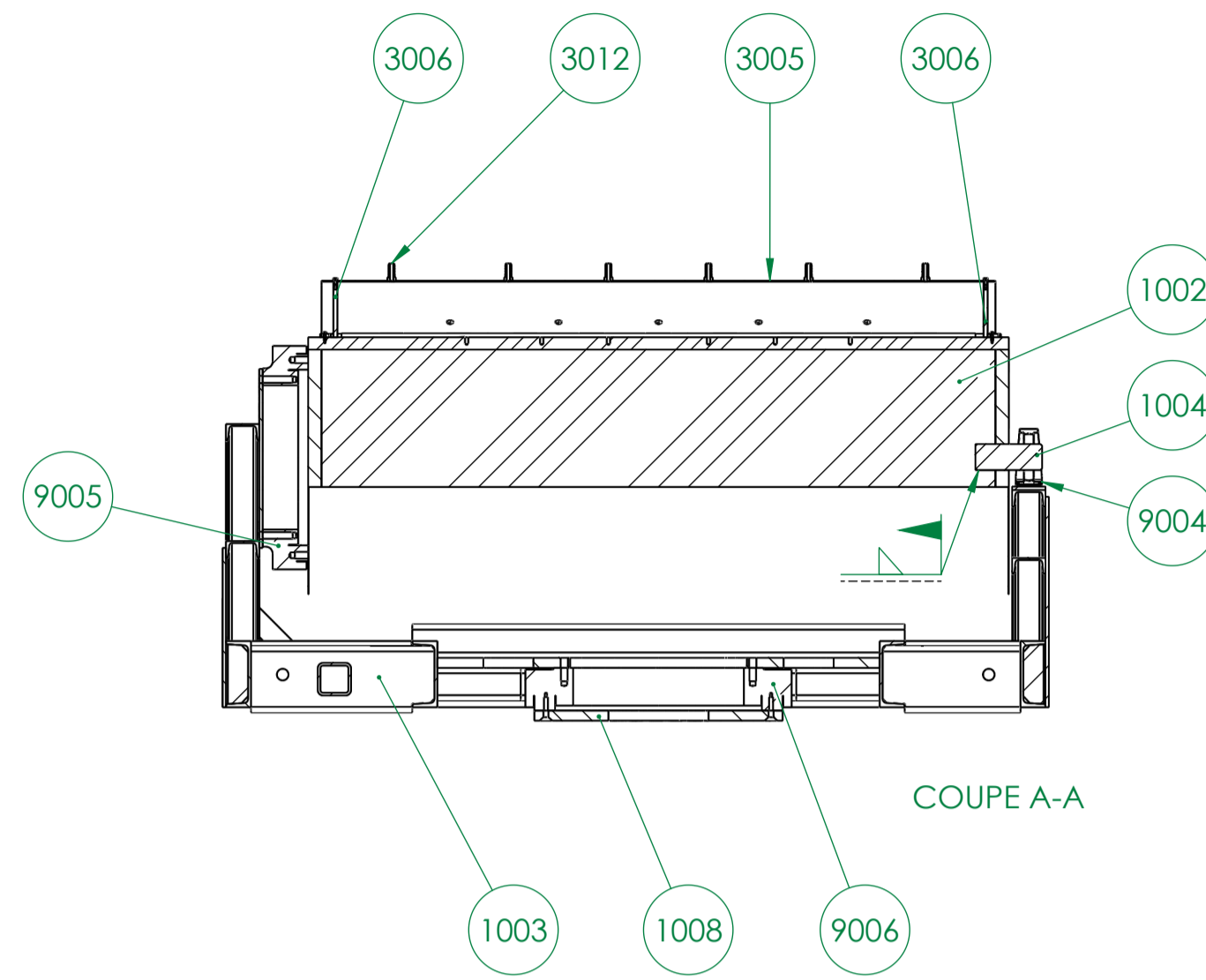
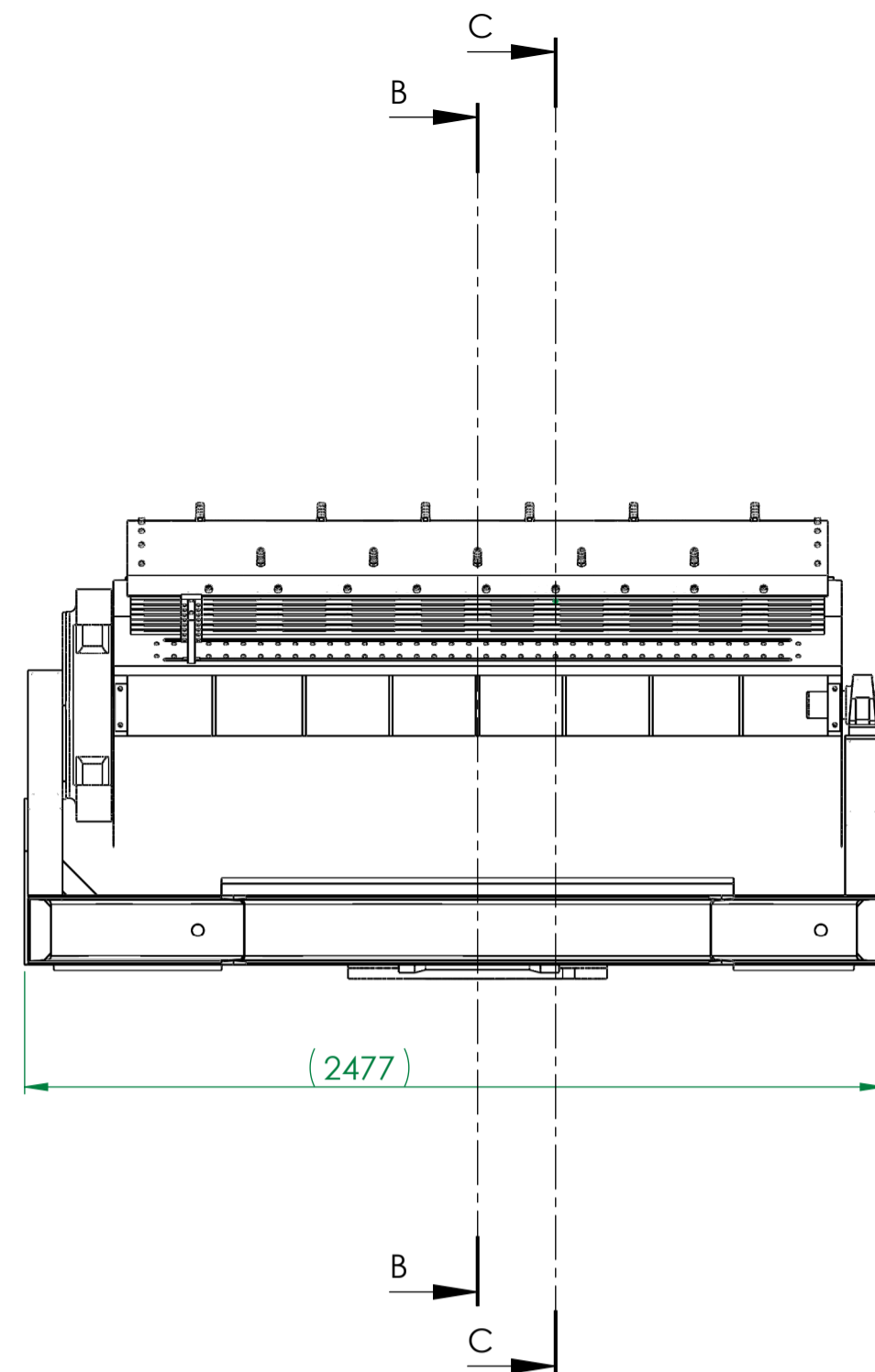
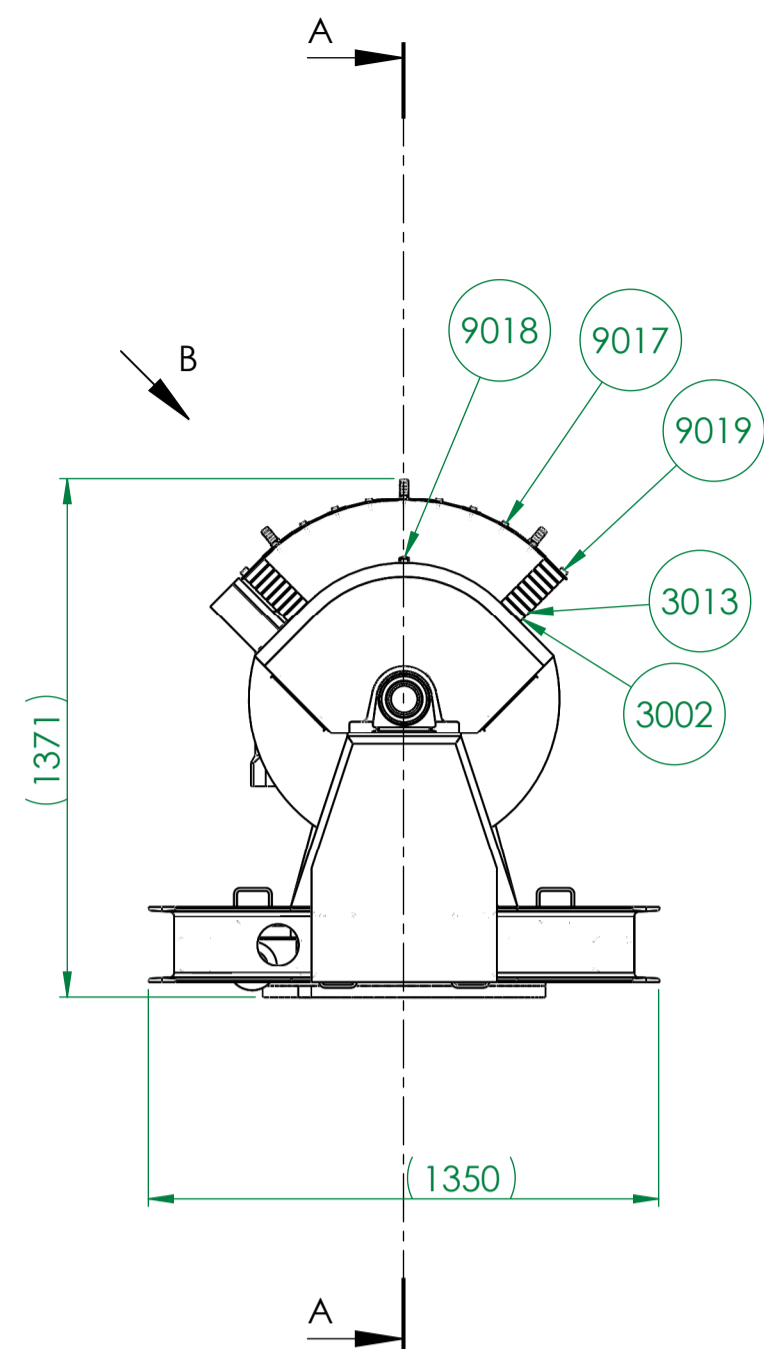
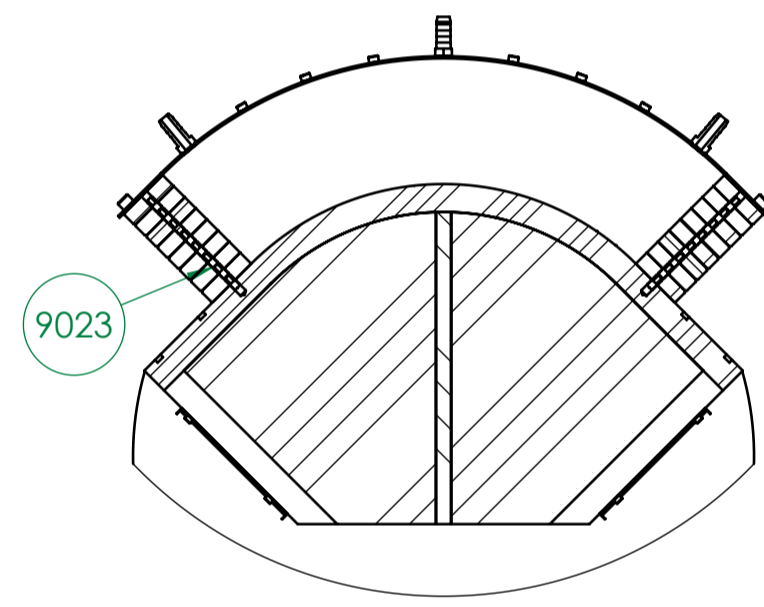
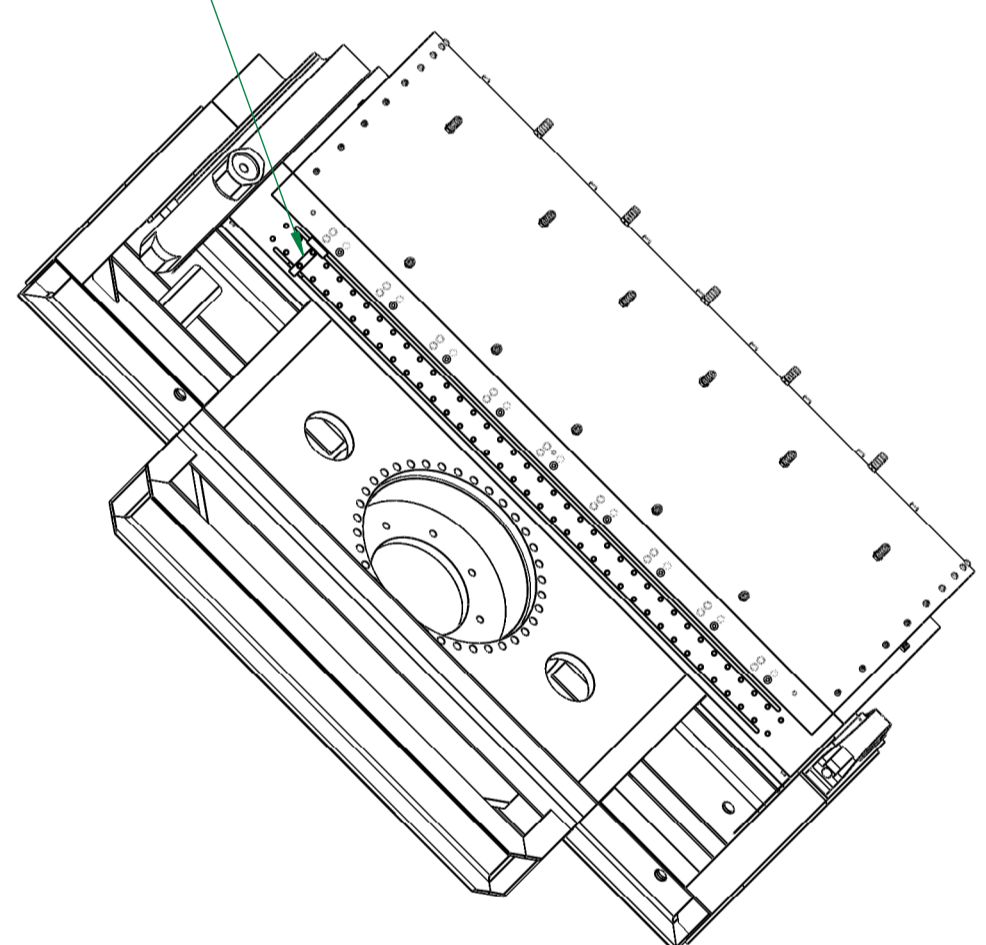


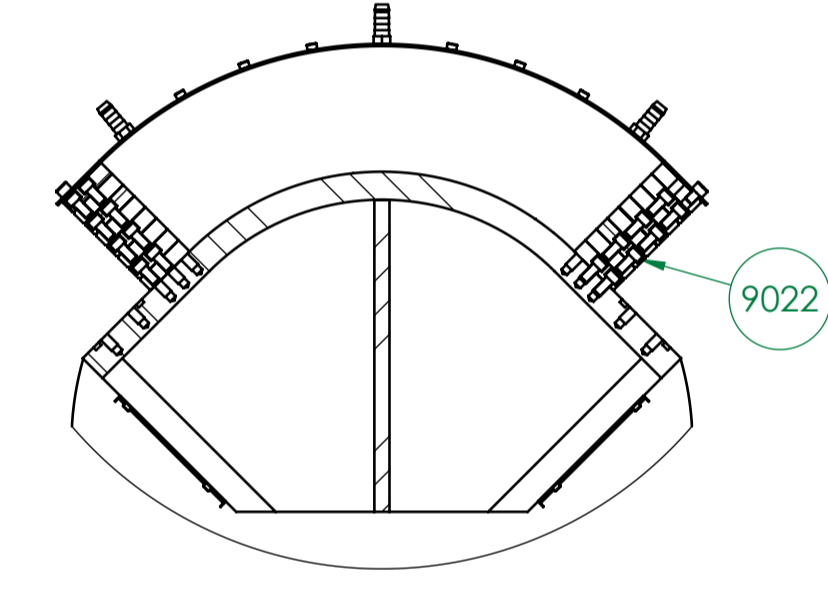
REVISIONS		DATE	AUTHOR
ZONE	REV.	DESCRIPTION	
	A	CREATION	01/08/2013 M. DELBECQ



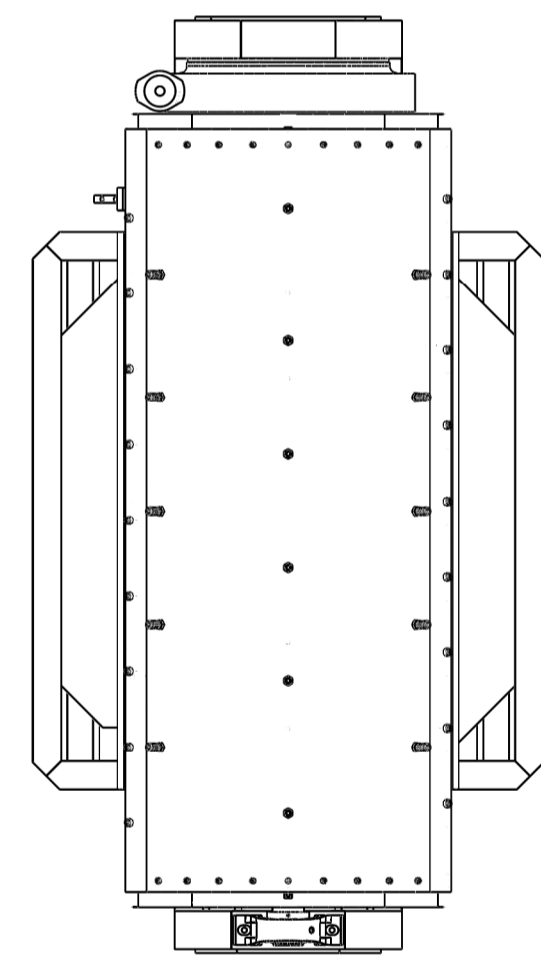
système d'équerre de poussée commun outillage dipole



COUPE B-B
ECHELLE 1 : 10



COUPE C-C
ECHELLE 1 : 10



VUE B

VISSERIE PARTIE CHASSIS/COURONNES ETC.
NON REPRESENTEE

REP	REFERENCE	DESIGNATION	QTY	REV	MATERIAL	SUPPLIER	MASS (Kg)
1002	318711-JLA-1002	Mandrin QPOLE	1	A	E24 (S235JR)		913.75
1003	318711-JLA-1003	Chassis pivotant QPOLE	1	A	E24 (S235JR)	modif. exist.	824.41
1004	317111-JLA-1004	Axe	1	A	XC48		9.99
1008	317111-JLA-1008	Socle	1	B	E24	recup. exist.	79.73
3002	318711-JLA-3002	Cale de poussée couches impaires	8	A	E36 (E360)	modif. exist.	21.69
3005	318711-JLA-3005	Couvercle moule	1	A	E24 (S235JR)		46.48
3006	318711-JLA-3006	Flasque moule	2	A	E24 (S235JR)		10.79
3007	318711-JLA-3007	protection	2	A	alu 5083 (EN-AW 5083)		0.67
3012	317111-JLA-3012	reprise raccord G1/2	16	B	304L (X2CrNi18-9)		0.09
3013	318711-JLA-3013	Cale de poussée couches paires	8	A	E36 (E360)		21.69
9004	comp-std-PALIER-Michaud-Chailly-m7-rase80	Palier auto-alignant	1		Acier allié	recup. exist.	1.12
9005	RODRIGUEZ-21-125	Couronne d'orientation	1		E24 (S235JR)	recup. exist.	187.80
9006	RODRIGUEZ-21-150	Couronne d'orientation	1		E24 (S235JR)	recup. exist.	302.15
9017	Vis - Screw CHC M8x12 - Zingued steel	Vis - Screw CHC	18		Zingued steel /classe 8.8 acier		0.00
9018	Vis - Screw CHC M6x20 - Zingued steel	Vis - Screw CHC	2		Zingued steel /classe 8.8 acier		0.00
9019	Vis - Screw CHC M12x16 - Zingued steel	Vis - Screw CHC	18		Zingued steel /classe 8.8 acier		0.00
9021	Vis - Screw CHC M6x12 - Zingued steel	Vis - Screw CHC	8		Zingued steel /classe 8.8 acier		0.00
9022	Vis - Screw CHC M12x25 - Zingued steel	Vis - Screw CHC	288		Zingued steel /classe 8.8 acier		0.01
9023	Goupille taraudée - Threaded dowel pin - Ø10x20	Goupille - Dowel pin (Ø g6)	48		Acier allié		0.01

FOR INFORMATION

Portiel

 21 du prat Rue des frères Hongollier F-56000 Vannes SIGMAPHI Tel:33 02 97 01 08 80 Fax:33 02 97 01 08 81 EMAIL:Contact@sigmaphi.fr	Name	M. DELBECQ	Date	16/12/2013
	Drawing	M. DELBECQ		
	Checked			
	Approved			
MATERIAL	See assembly			
Trait.				
Roughness				
Tol Gen				
Supplier				
Weight	2742.45 Kg			
File name:	318711-JLA-1000			
DWG NO.	318711-JLA-1000			
Scale	A1			
<small>This drawing may not be used without special license or authorisation express (Law of the 11 march 1957)</small>				