

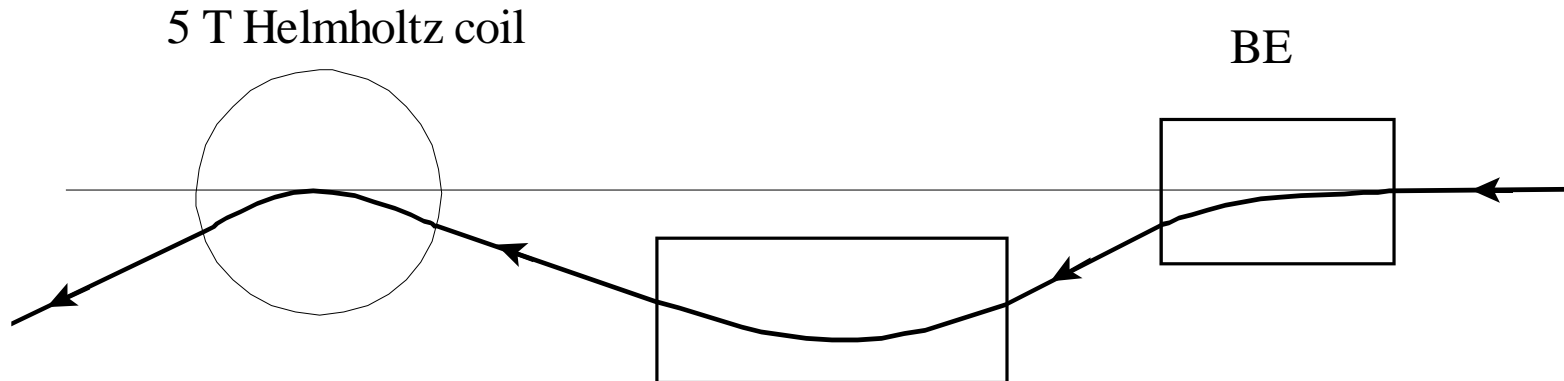
Beamline Status

- Updated Radiation Budget
- Upstream beamline
 - Chicane
 - SEM
 - Rasters
 - Girder
- Downstream beamline
 - Helium bag
 - Extension piece
 - Beam dump
- FSD's
- Outstanding Issues

Updated Radiation Budget (see RSAD)

- Dose per setup is completely dominated by the transverse running using the temporary beam dump in hall.
 - 288 μrem for ~ 4 GeV running (3% of annual)
 - 6% of total run time for experiment
 - 504 μrem for ~ 6 GeV running (5% of annual)
 - 11% of total run time for experiment

Chicane



- BE dipole magnet
 - Max. current: 300 A
 - Eff. Length: ~ 1 m
 - Gap: 2.54 cm
 - Power Supply: 40V/320A
- BZ dipole magnet
 - Max. current: 500 A
 - Eff. Length: ~ 2 m
 - Gap: 3.81 cm
 - Power Supply: 40V/500A

Alex Bogacz has settings from Oscar's program (see next slide) and target magnet field map. Will double check setting and optics and determine BZ positions.

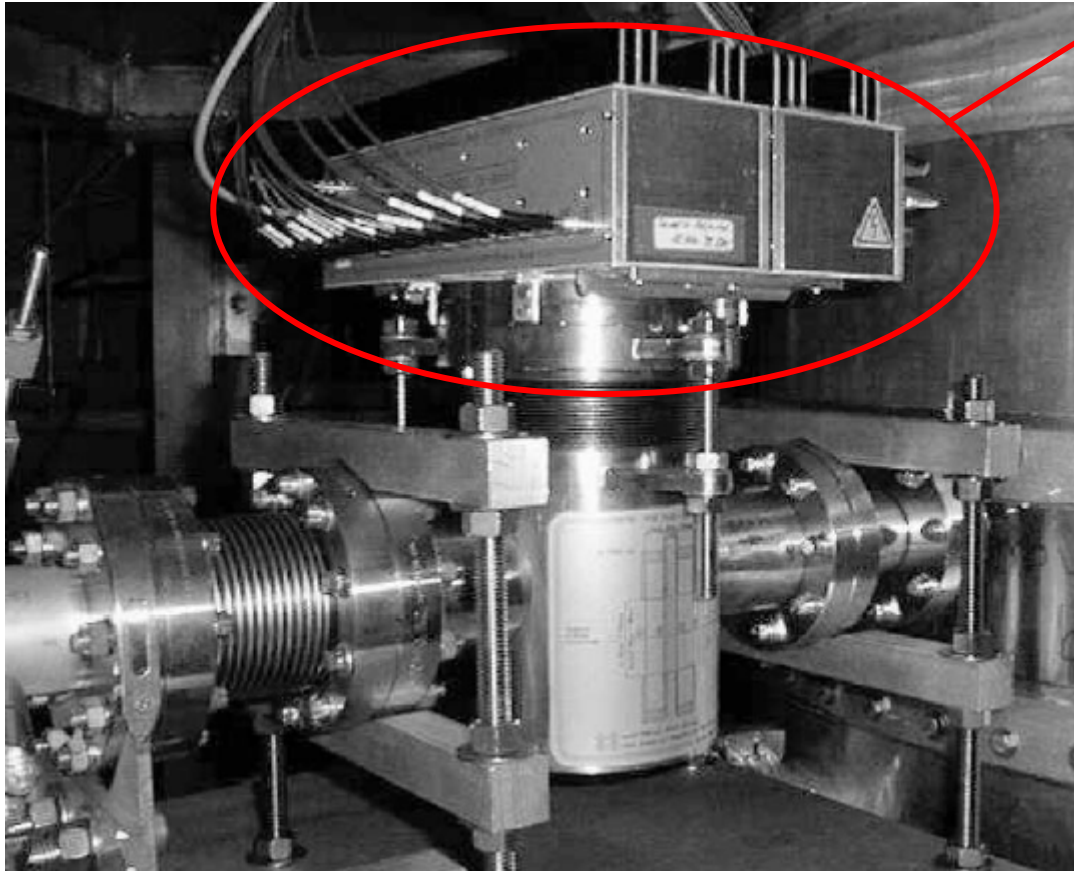
Chicane Settings

(sent to Alex Bogacz)

E (GeV)	BE exit angle	BZ bend	Target exit angle	\intBdl BE (T•m)	\intBdl BZ (T•m)	\intBdl Target (T•m)
4.734	0.878	3.637	2.759	0.513	1.002	1.521
5.9	0.704	2.918	2.214	0.519	1.002	1.521

SEM

Electronics moved
away from beam line



SEM will be
installed on the
girder by early
next week.

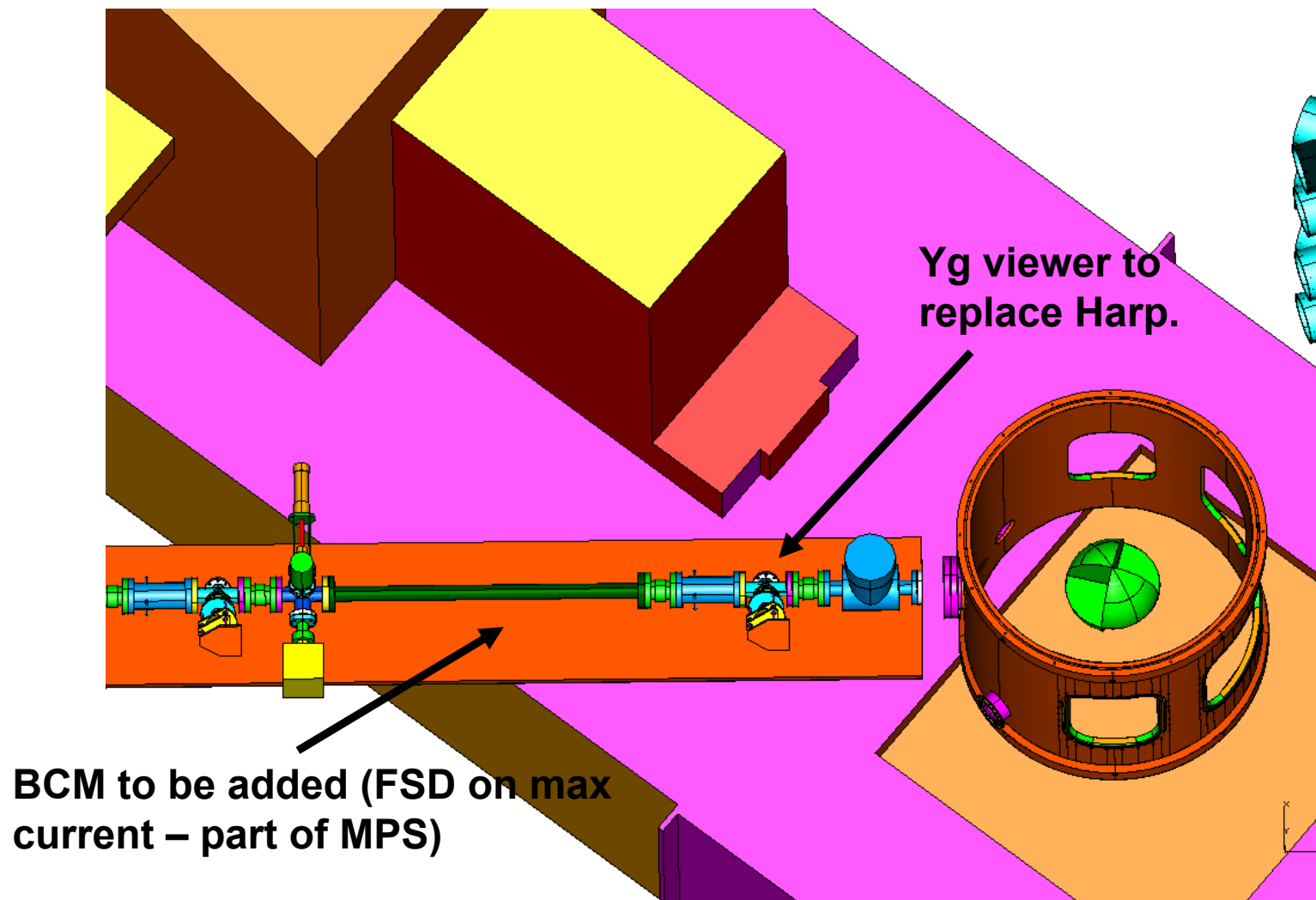
Need to
determine what
cables need to
be pulled.

Rasters

- Fast Raster: 2 x 2 mm
- Slow Spiral Raster
 - Re-installed last summer
 - X and Y ~ 100 Hz
 - Amplitude modulation 30 Hz synchronized
 - See Chen Yan's progress report Jan. 2004 Hall C meeting
 - Re-commissioning needed

According to Bill Gunning there is currently no FSD connection and MCC does not control it.

Polarized Beam Girder



08/15/08

J. Dunne -- SANE Collaboration Meeting

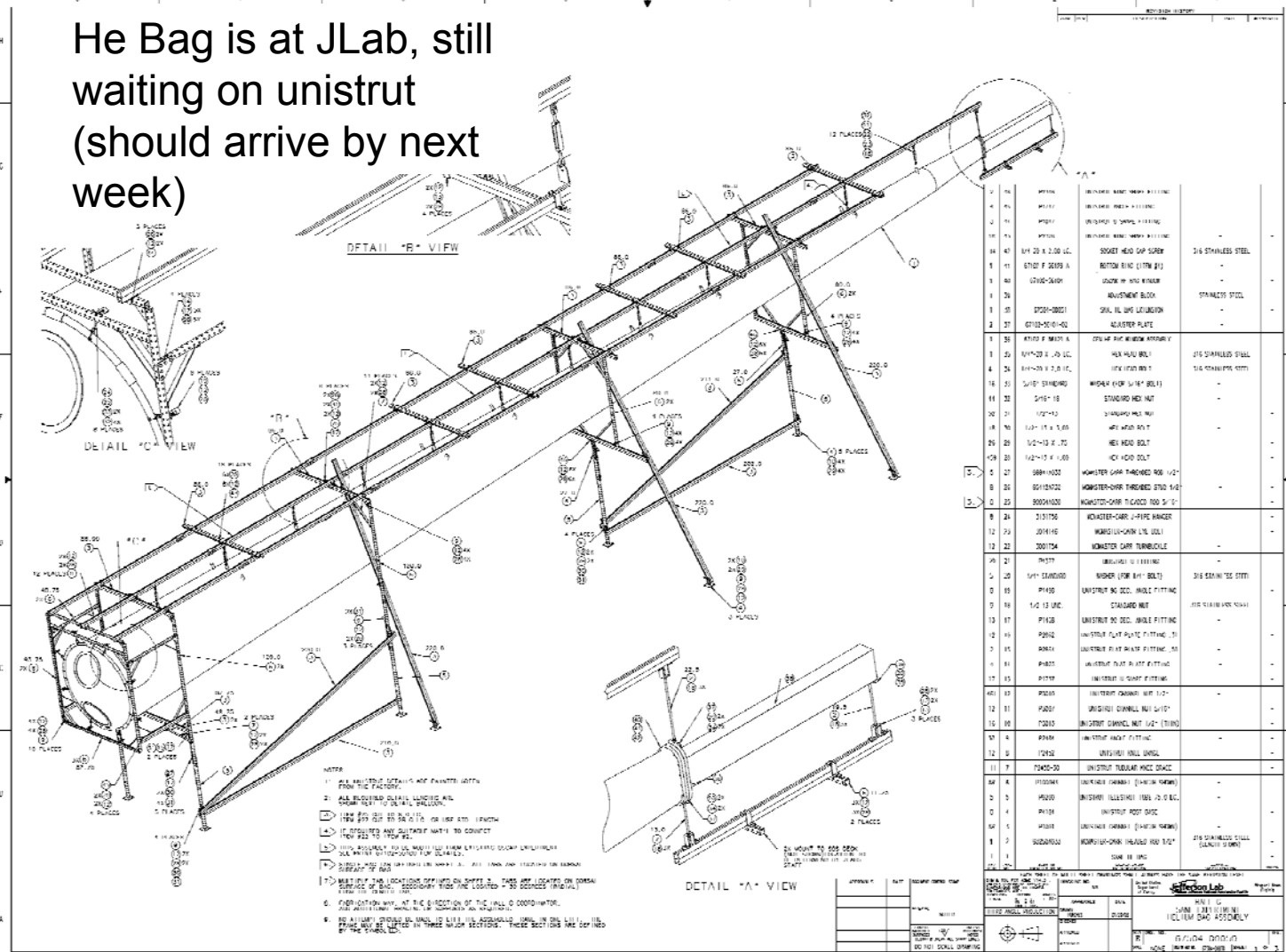
7

Polarized Target Upstream Beam Girder

- Pre-alignment of girder delayed (stored without endcaps)
 - Vacuum group is currently cleaning it – should be completed by early next week
 - They will install SEM and BCM
 - Tony delaCruz will install YAG viewer.
 - Surveyors need about a day to pre-align.
- Girder to be installed the week of the Aug. 25th
 - Will need to be surveyed.

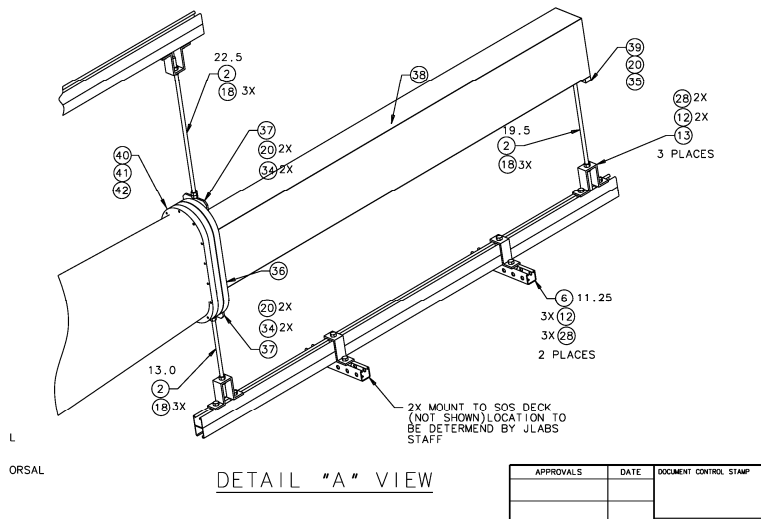
Helium Bag and Support

He Bag is at JLab, still waiting on unistrut (should arrive by next week)



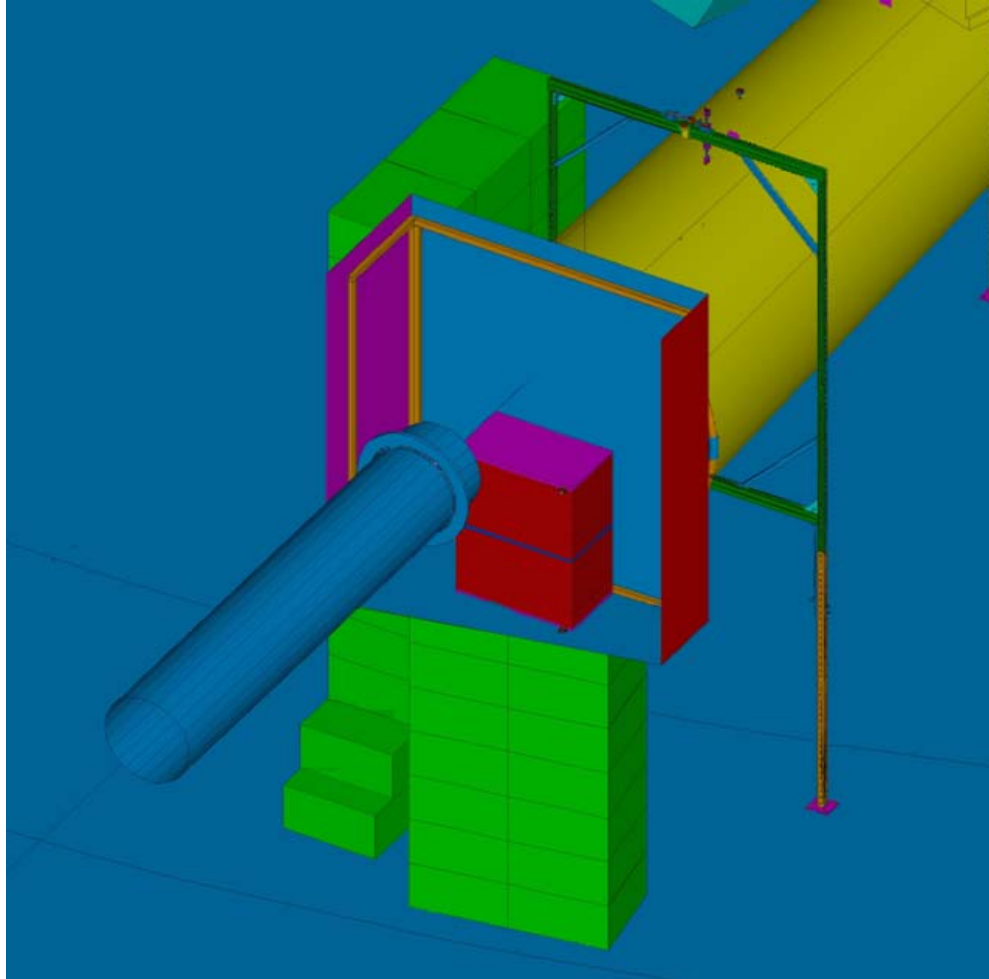
Extension Piece

Frame built by Hampton Sheet Metal and is at JLab. Still needs 16 mil aluminum sides epoxied on frame.



Beam Dump

Walter has drawings for dump, stack of steel plates exists, aluminum box has been built and is at lab.



08/15/08

J. Dunne -- SANE Collaboration
Meeting

11

FSD's

- Rasters
 - Slow raster does not have FSD connection currently
- BE and BZ magnets
 - Use voltage
- Polarized target field
 - Use hall probe
- Maximum current limit
 - Added BCM on pol. Girder
- Currently not planning to use anything between helium bag and dump
 - Deemed not practical

Outstanding Issues

- BZ position
 - Alex Bogacz will check
 - Test motion (scheduled for week of Sept 29th)
- SEM
 - Test
 - Epics signals to MCC?
 - Cables
- Slow Raster
 - Test
 - FSD
 - MCC control?