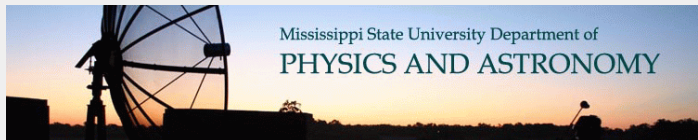


Beam Line

- Helium Bag
- Extension Piece
- Temporary Beam Dump
- Super Harps

J. Dunne Oct. 5, 2007



Helium Bag

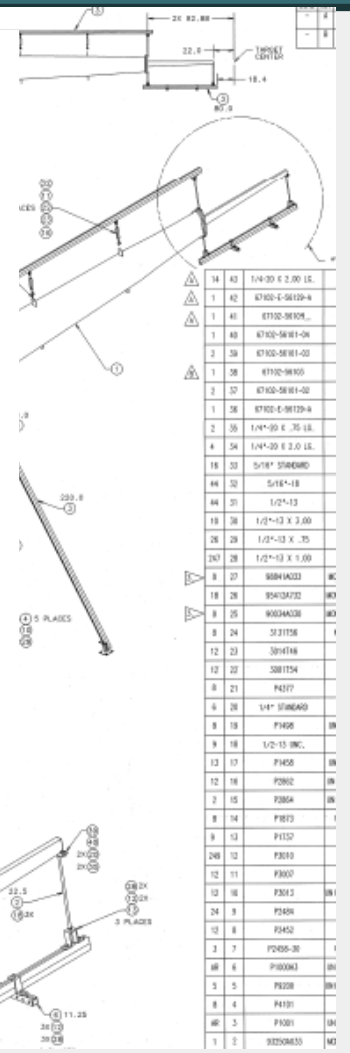
Dear Jim:

It was good to hear from you. Below is a quote for the custom bag reorder we discussed. It can be ready to ship in 2-3 weeks from receipt of a PO. (We will also need you to supply us with the aluminum disks within a week of issuing the PO, or 2 weeks prior to the expected ship date.)

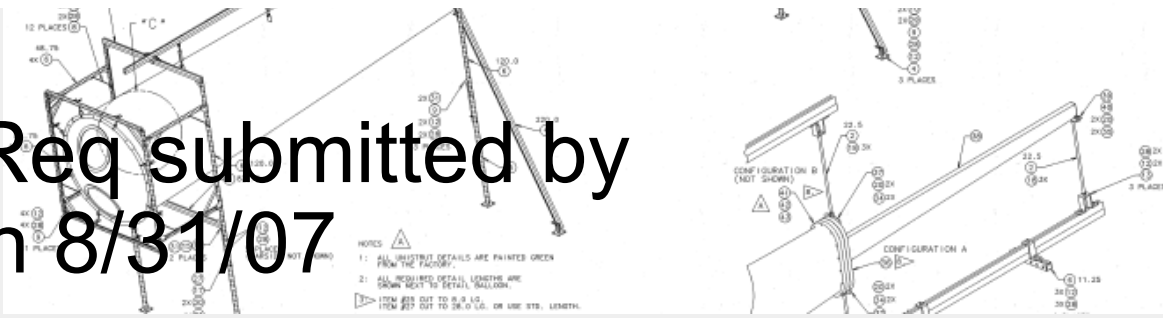
PPE 0.036''

1	Flexi-Liner custom Helium Bag 90' x 12"-72" Includes ports and support tabs/ring Original order 3/31/01	\$9,850.00
	Total FOB Pomona, CA (taxes and shipping not included)	\$9,850.00

We appreciate the opportunity to continue to provide products and services to Jefferson Labs. Contact me with any questions or if you would like to discuss any aspect of the quote. I can be reached at (800) 423-4909 or kyle@flexi-liner.com.



Purchase Req submitted by S. Wood on 8/31/07

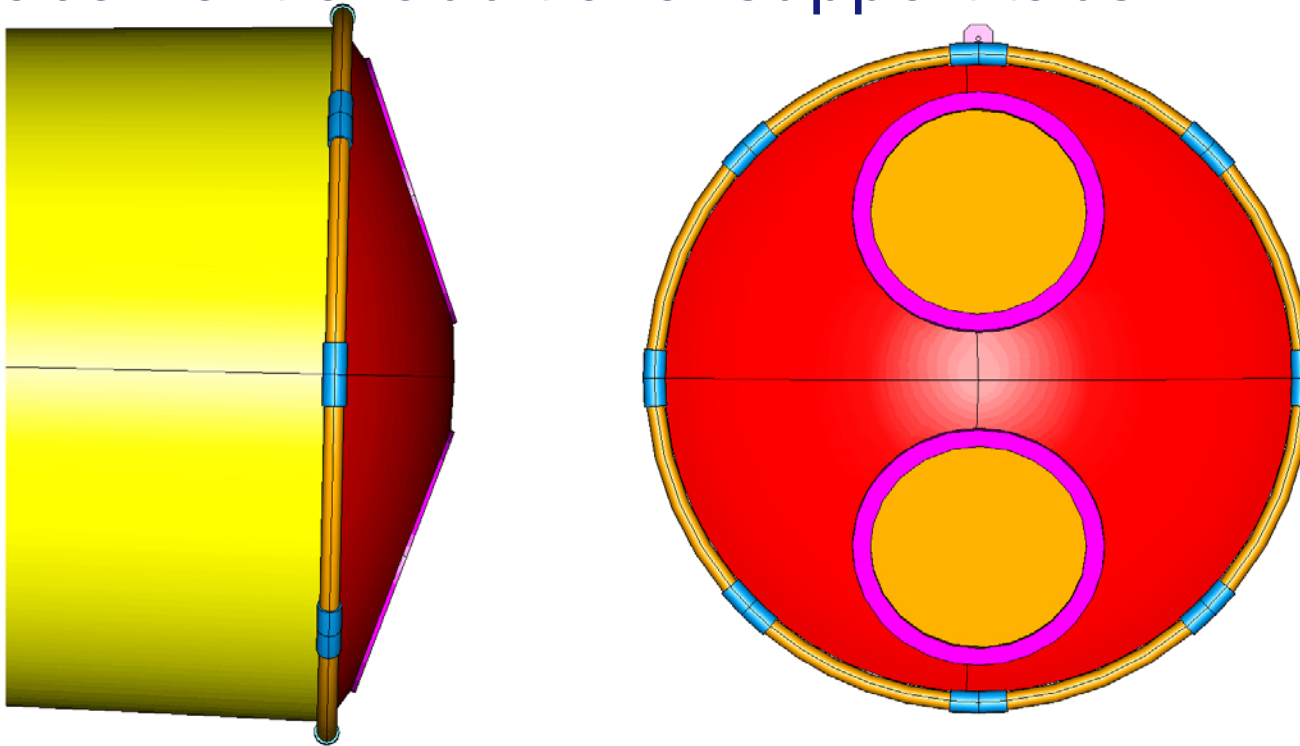


J. Dunne Oct. 5, 2007

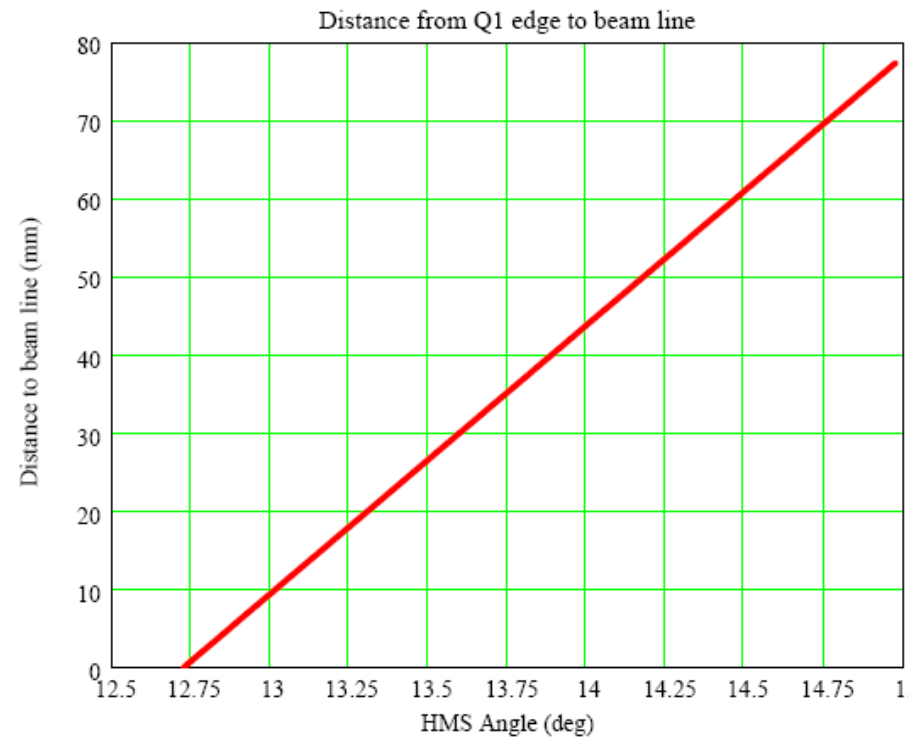
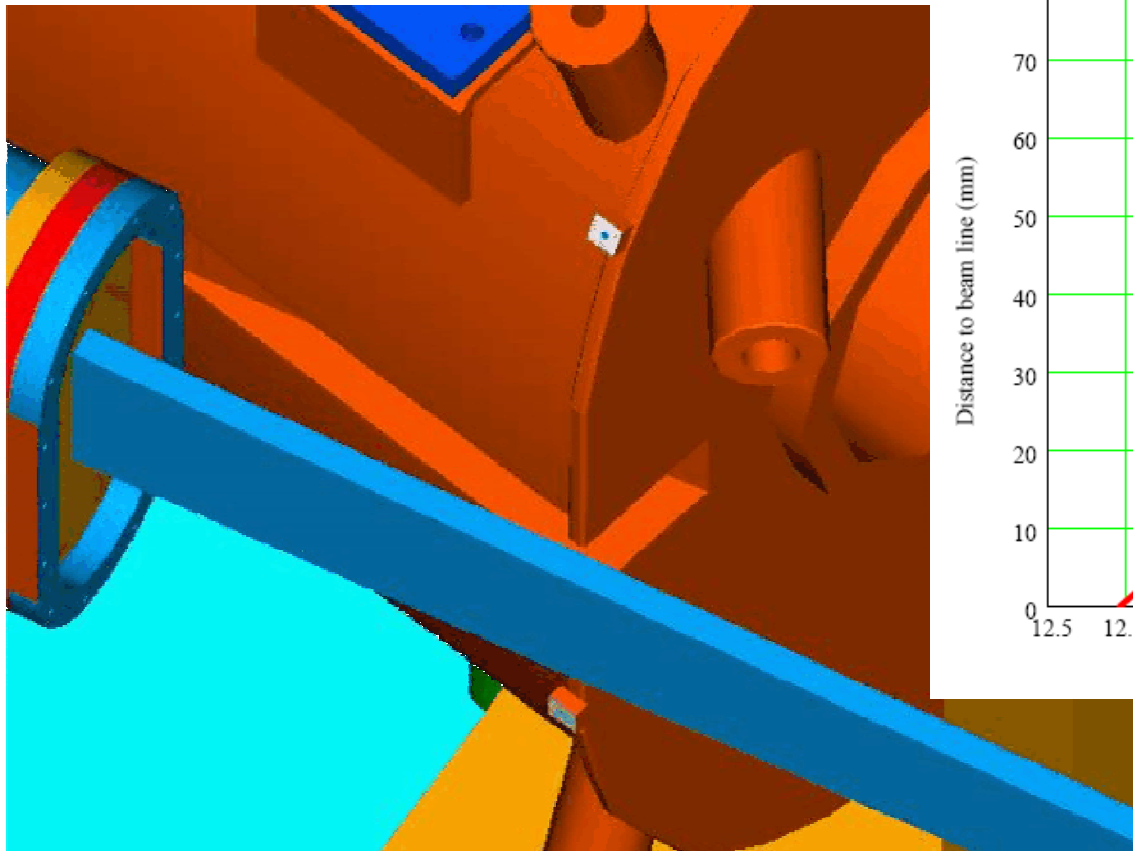


Helium Bag

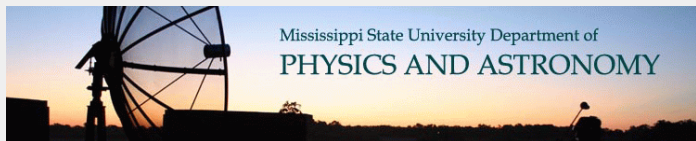
- Two things holding up construction:
 - ▶ Aluminum windows
 - ▶ placement of additional support tabs



Extension Piece

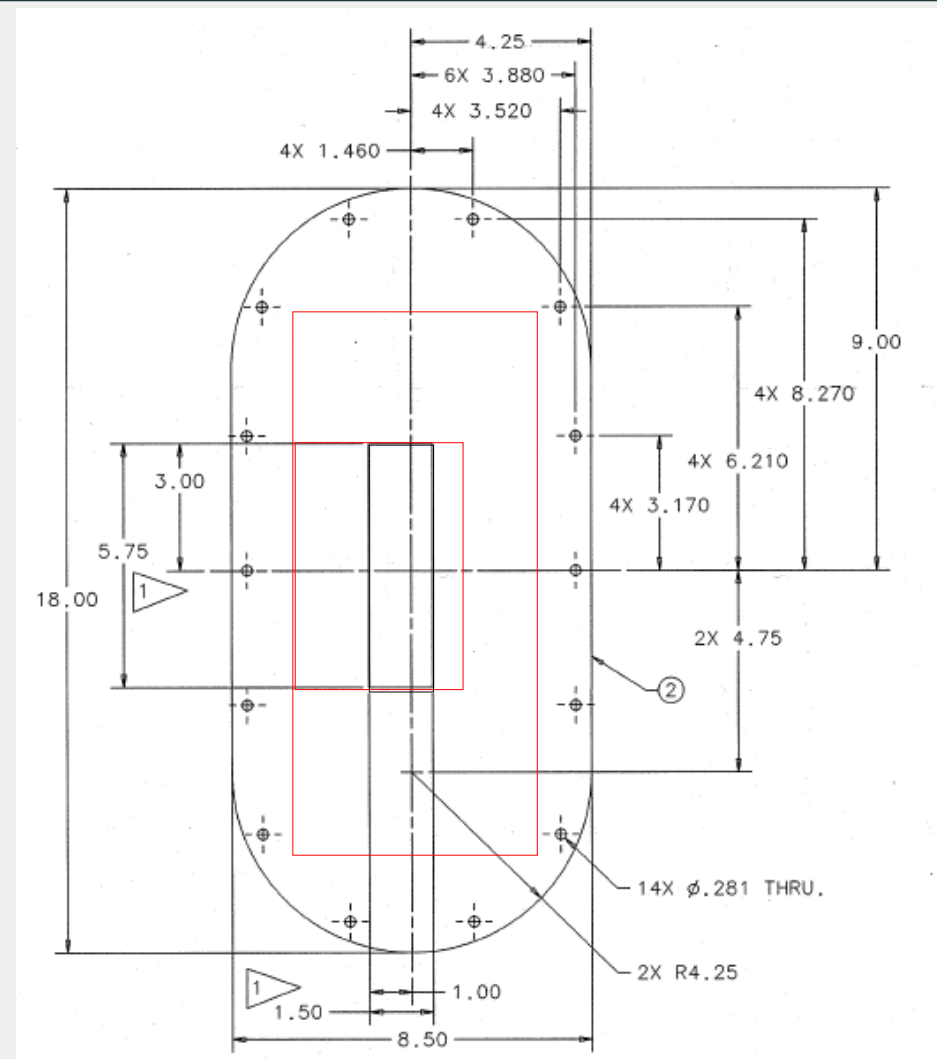


J. Dunne Oct. 5, 2007



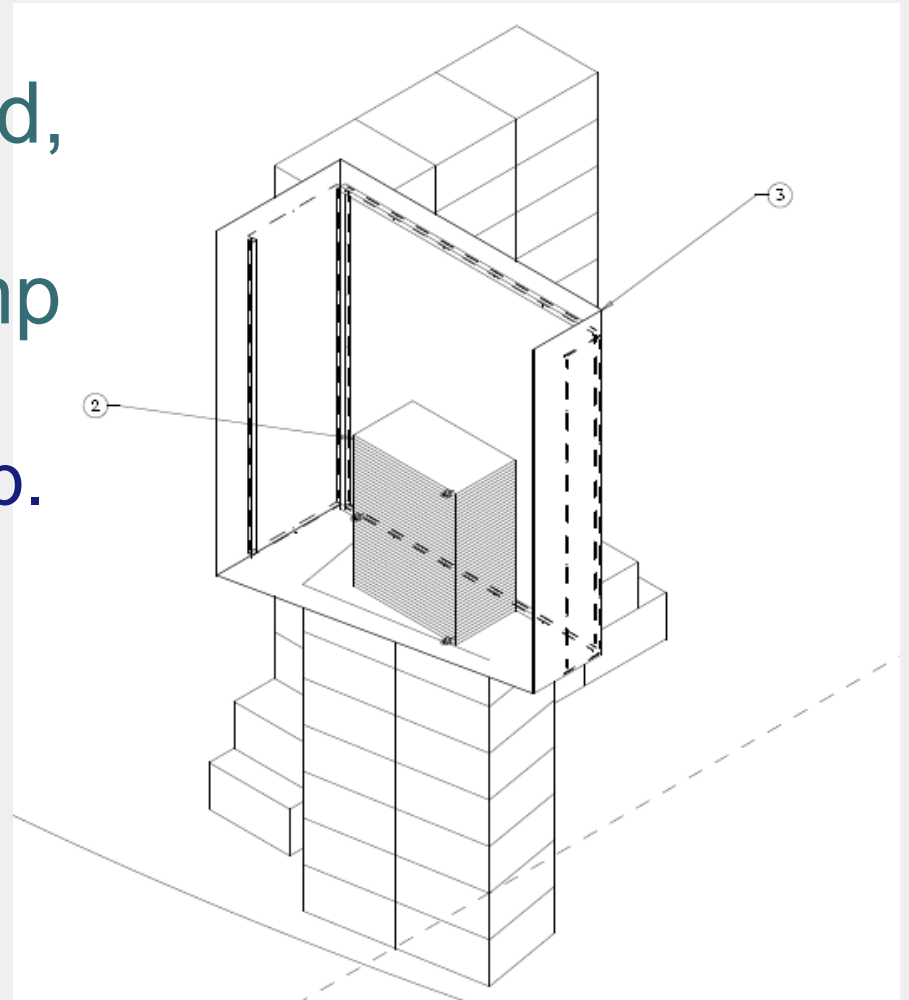
Extension Piece

- Modify extension piece
 - ▶ Could make it 6" x 12" x 72"
 - Min $\theta_{\text{HMS}} \sim 15^\circ$
 - ▶ Plan to make it 4.7" x 6" x 72"
 - Min $\theta_{\text{HMS}} \sim 14^\circ$



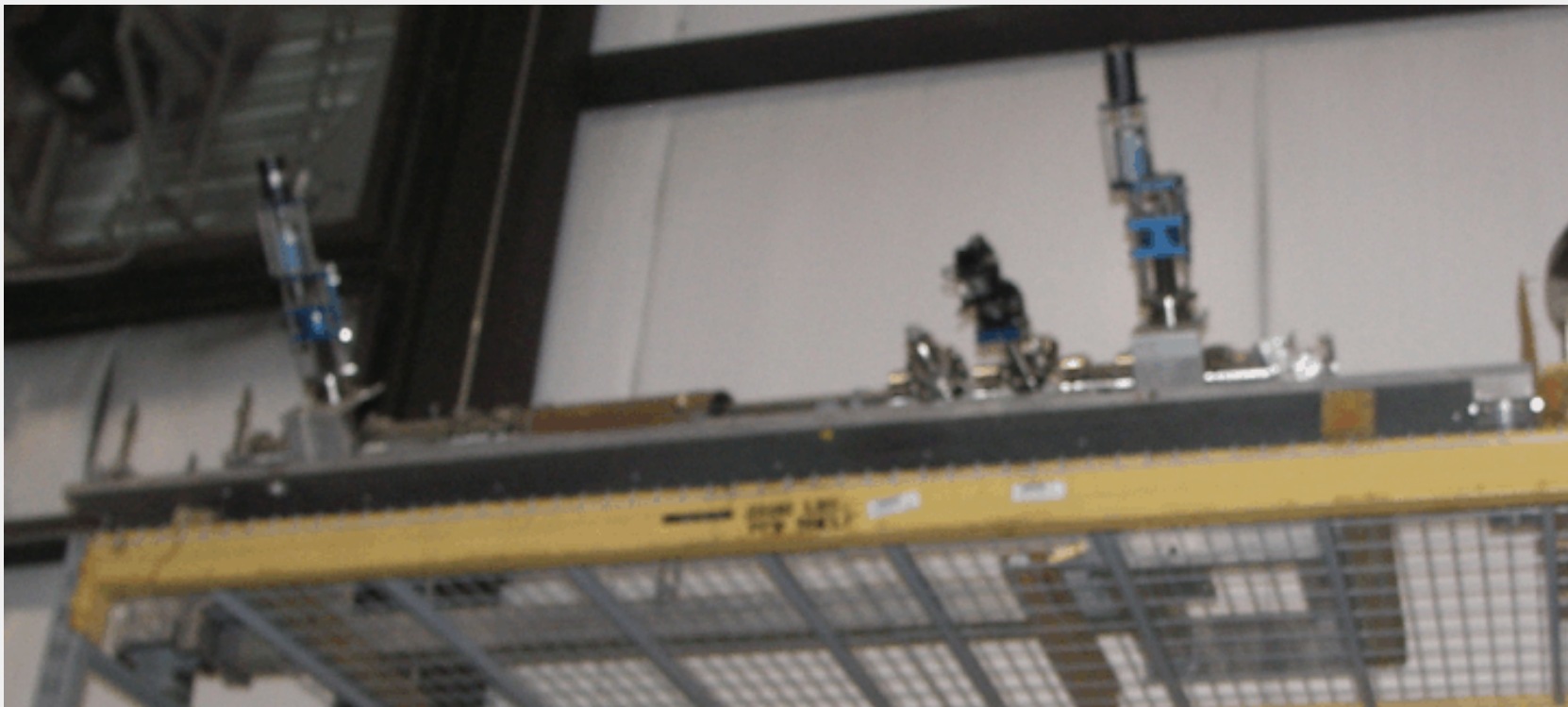
Temp Beam Dump

- As Walter suggested, fabricate stainless steel block and dump box now.
 - ▶ Possibly install in Feb.
- Drawing numbers
 - ▶ 67102-E-56127
 - ▶ 67102-E-56127
 - ▶ 67252-E-56008



Super Harps?

- Is there room with the radiator?
- Are they useful?



J. Dunne Oct. 5, 2007

