

SANE Forward Tracker Hodoscope Status

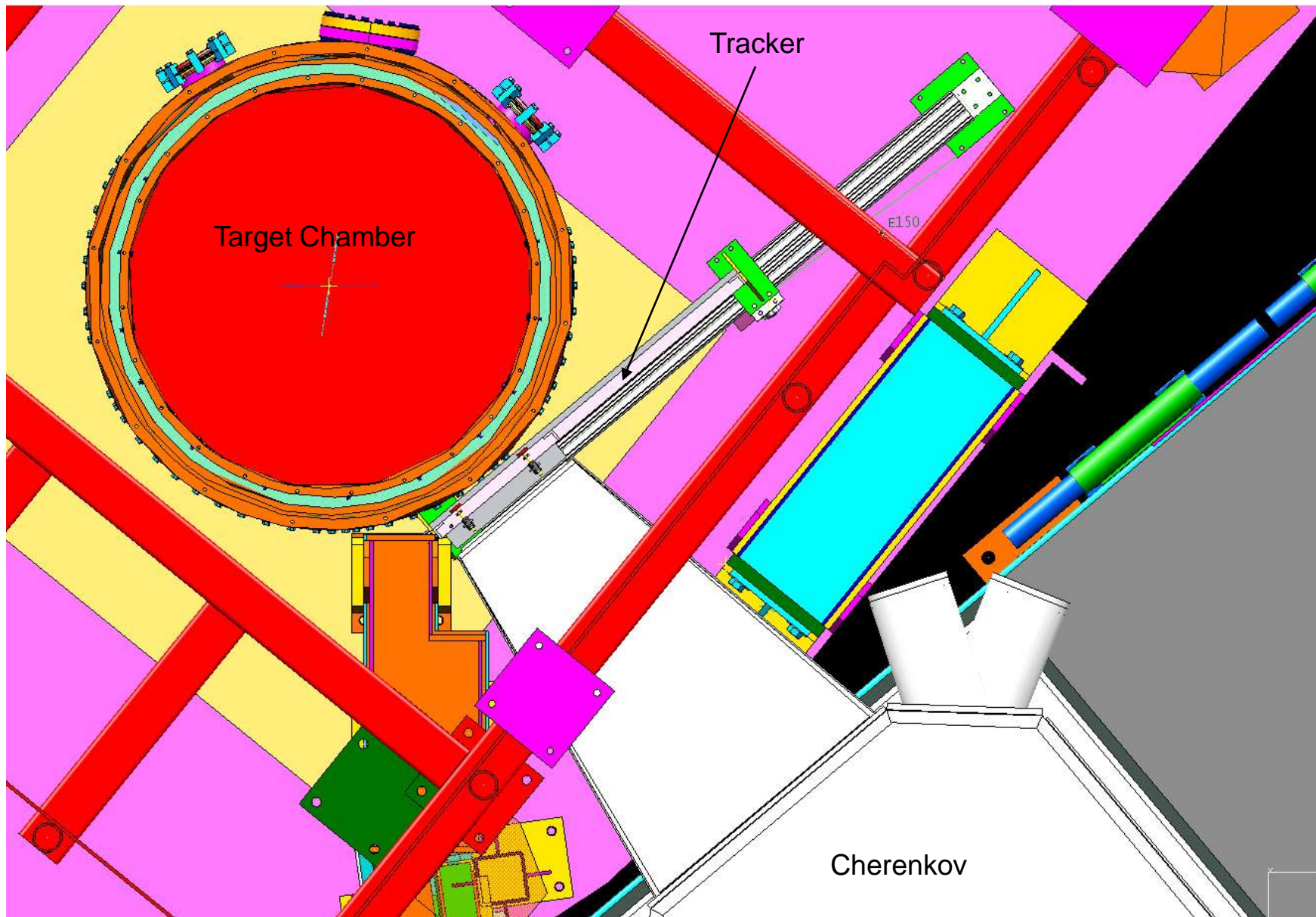
Cornel Butuceanu



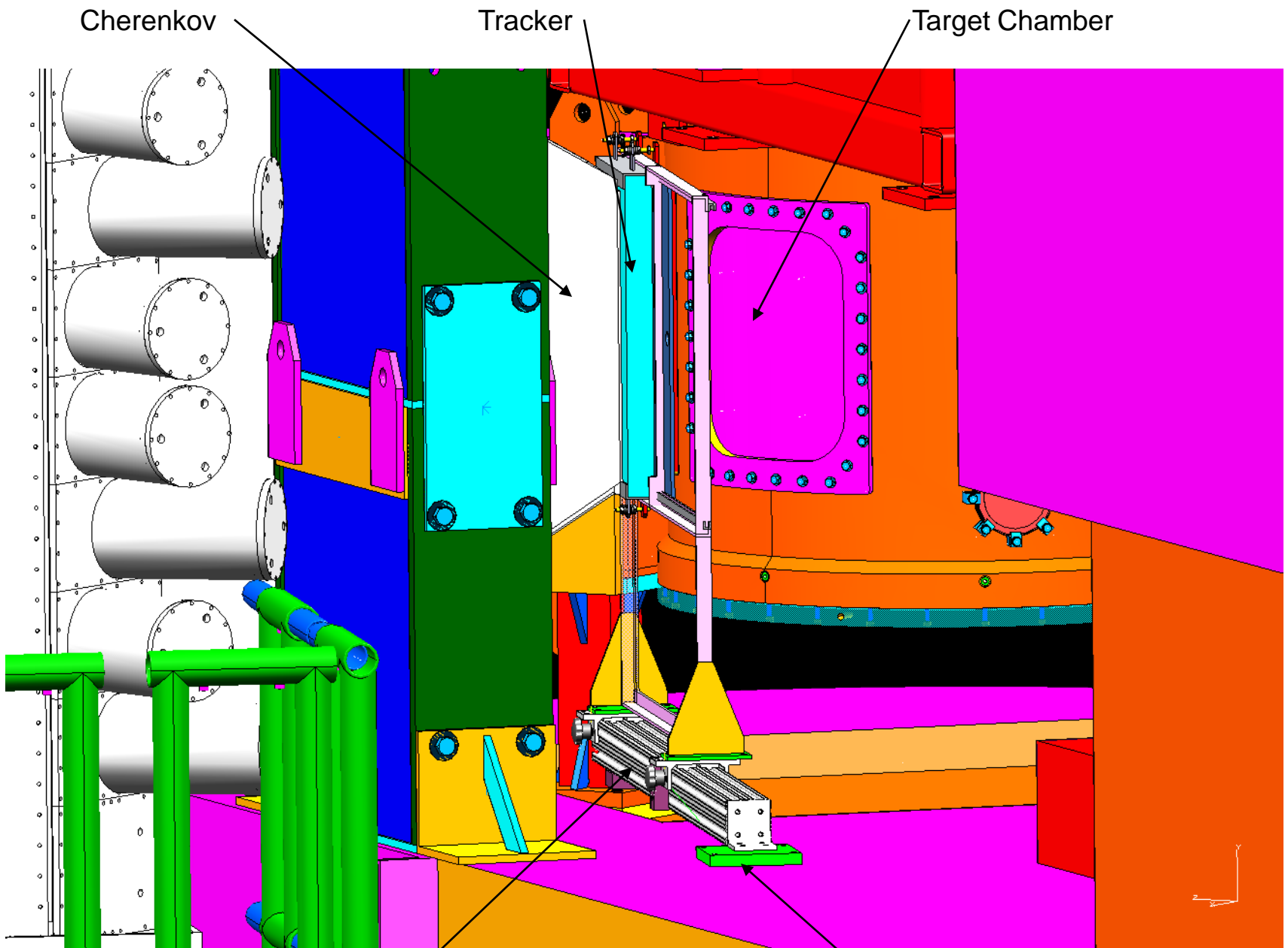
JLAB, SANE Collaboration, 15 August 2008

- ❑ Plane Y1 with 6 mm thick scintillators & double fibers completed.**
- ❑ Plane X with 3 mm thick scintillators & double fibers 1/2 completed.**
- ❑ We had a last minute setback due to a wrong order/delivery of WLS fibers, they were too short.**
- ❑ Replacement order in place, fibers will arrive at Jlab next week.**
- ❑ Finish the X & Y2 planes by the end of the month.**
- ❑ Deliver the detector to the Hall – first week in September.**

- PMT tests in EEL bldg. showed that x10 amplifiers do not introduce additional noise to the signal. We will use amplifiers and reduce the PMT gains for more stable operation.**
- 6 spare PMTs on hand.**
- All needed electronics (discriminators, amplifiers, ribbon cables, connectors) on hand.**
- Forward tracker fully implemented in the ENGINE.**
- Ntuple variables defined for each plane.**
- Correlation between Tracker X/Y and BigCal hit coordinates will be used to select SANE events.**



JLAB, SANE Collaboration, 15 August 2008



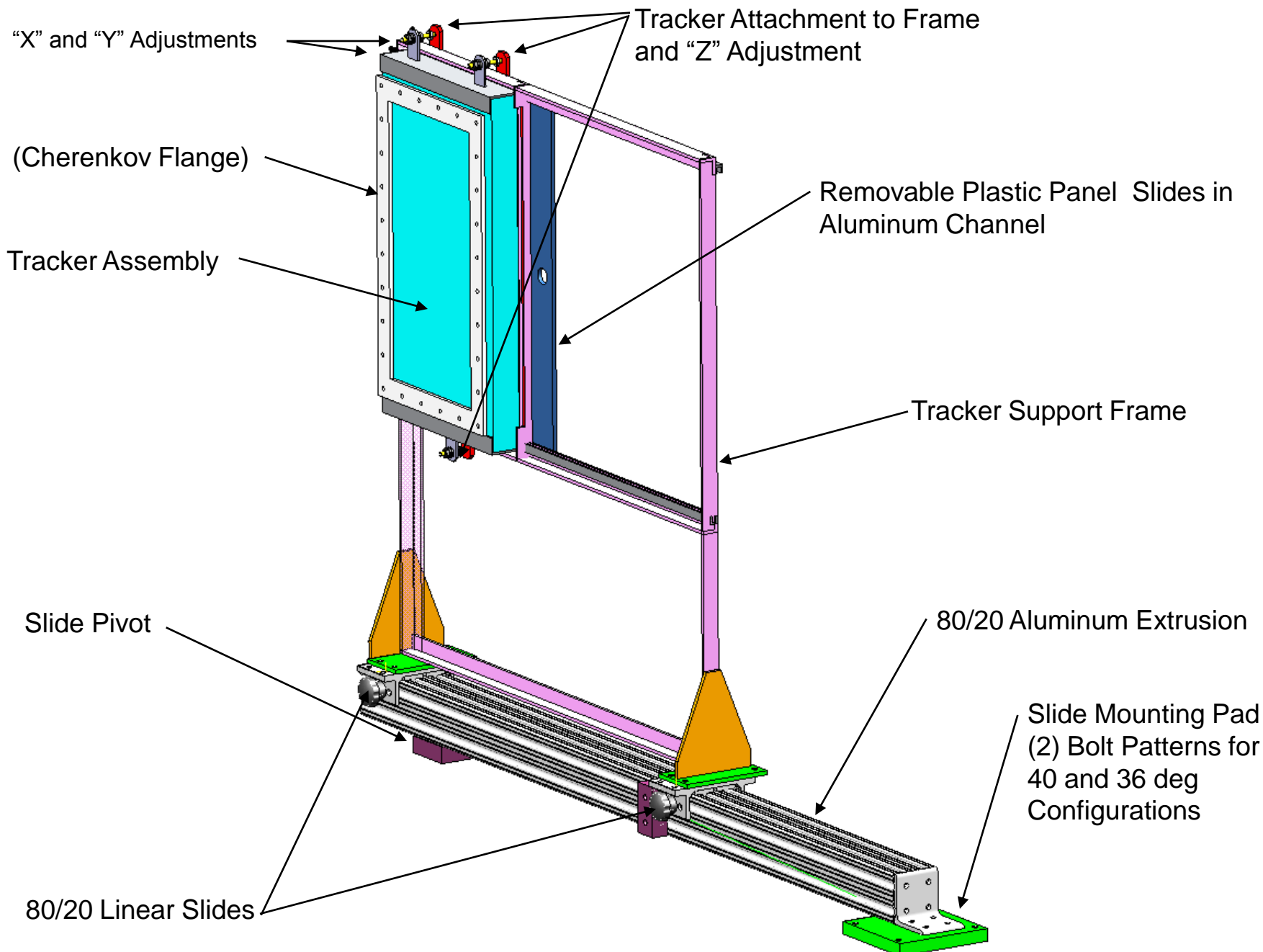
Cherenkov

Tracker

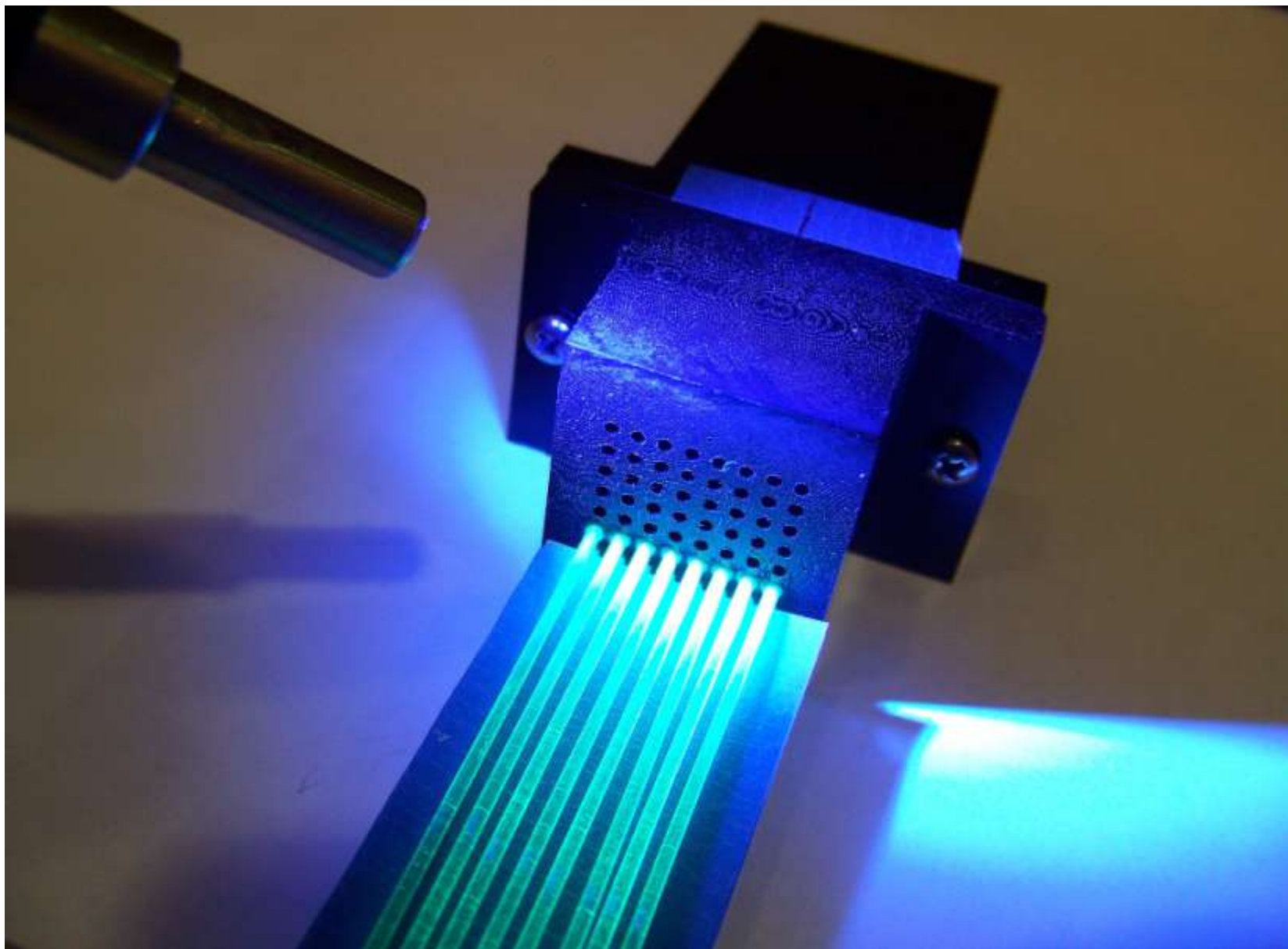
Target Chamber

Slide Support Pivot

Slide Mounting Pad
(2) Bolt Patterns for
40 and 36 deg Configurations



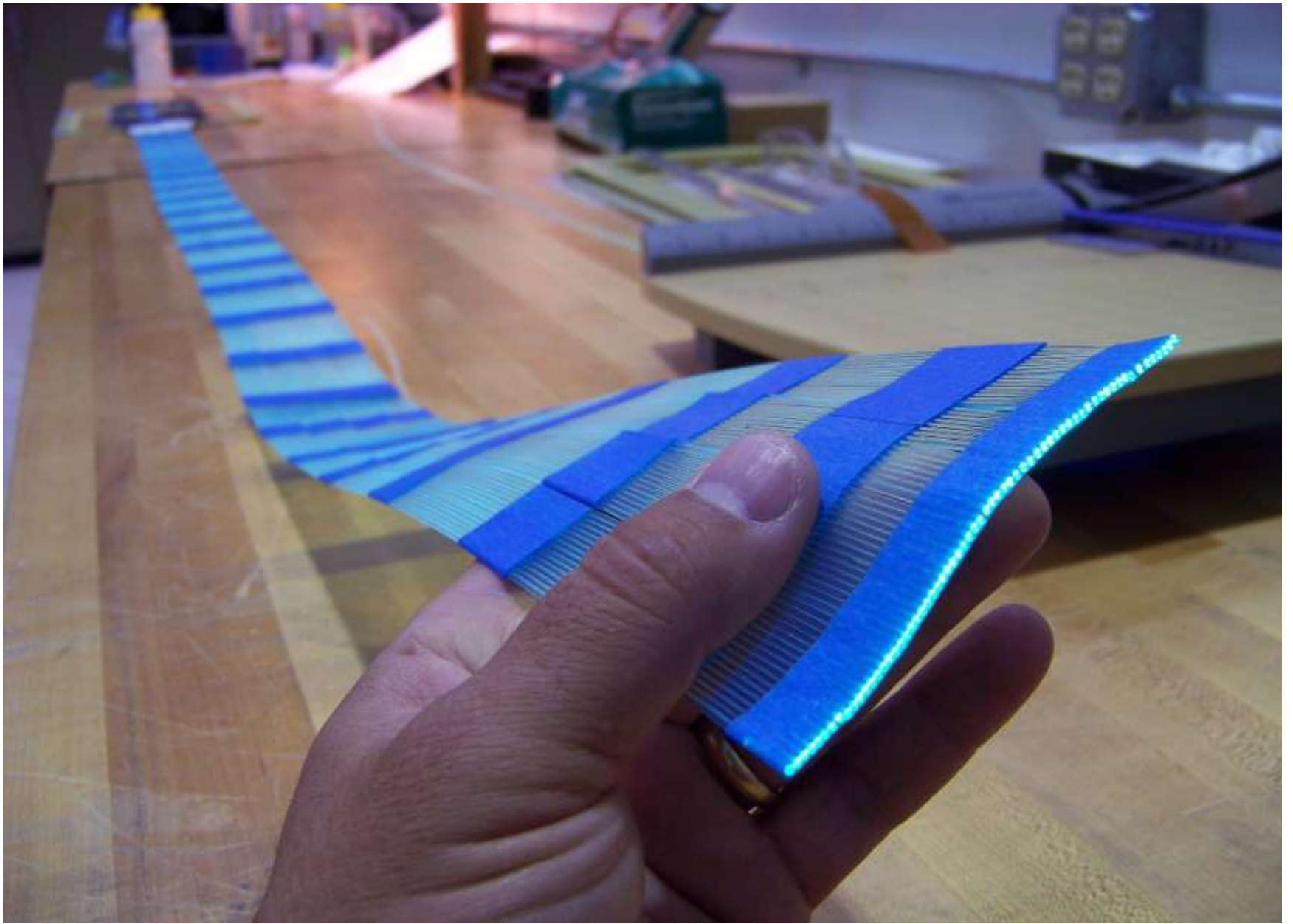
JLAB, SANE Collaboration, 15 August 2008



JLAB, SANE Collaboration, 15 August 2008



JLAB, SANE Collaboration, 15 August 2008



JLAB, SANE Collaboration, 15 August 2008



Be SANE !