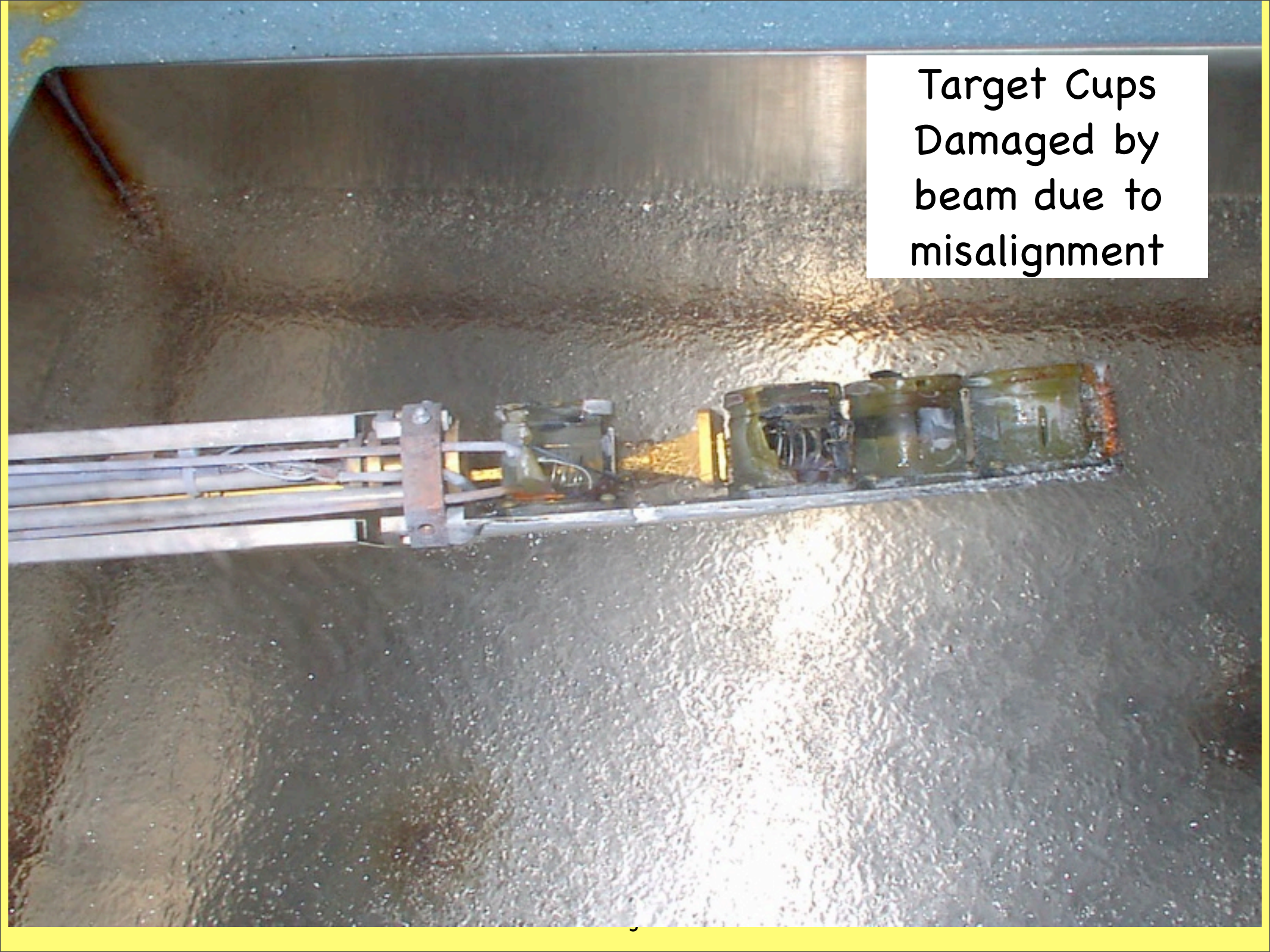


Target Insert Sleeve

Jonathan Mulholland, Donal Day and others

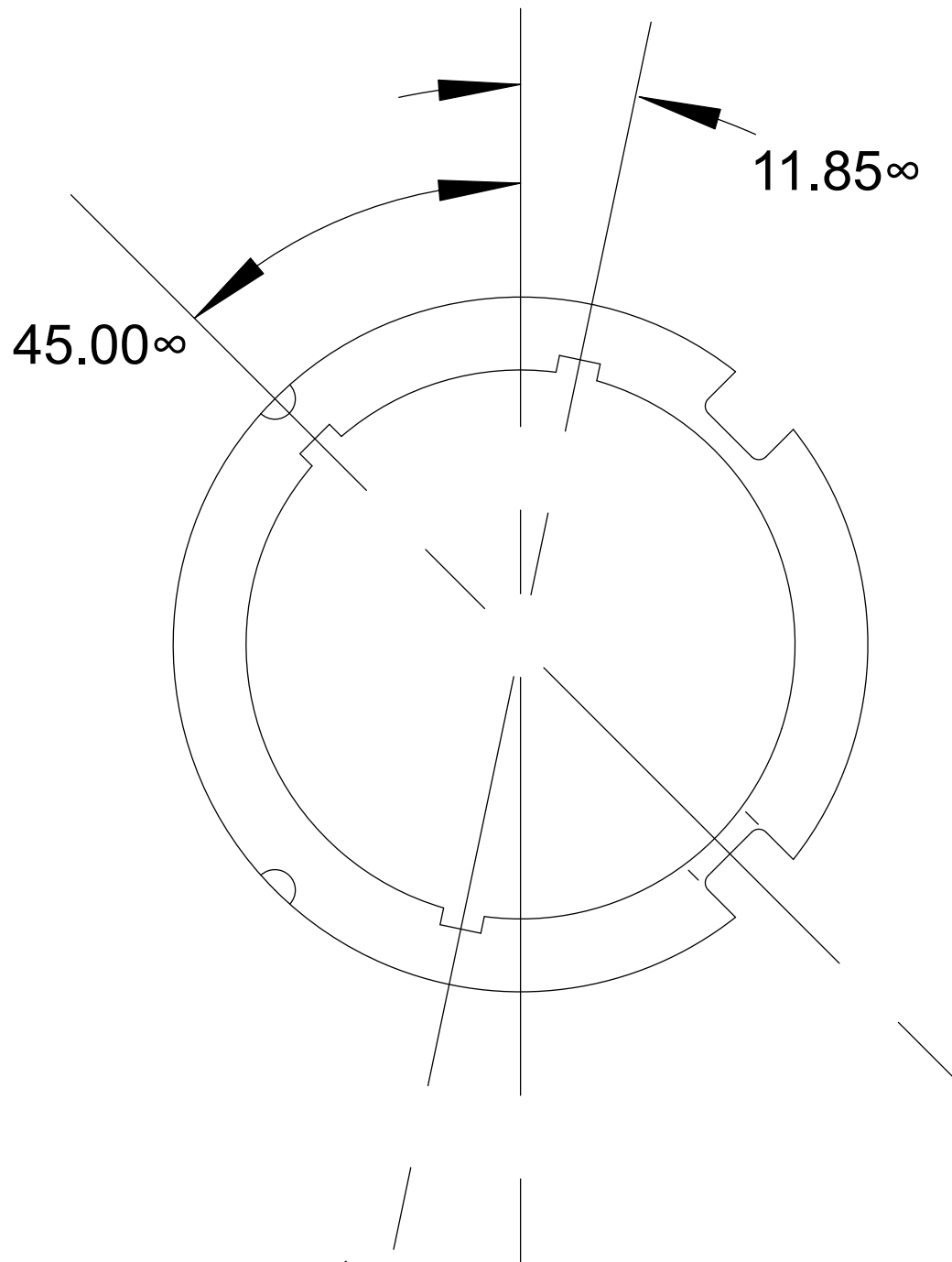
Gen0-1 and RSS
Target Stick
Misaligned





Target Cups
Damaged by
beam due to
misalignment

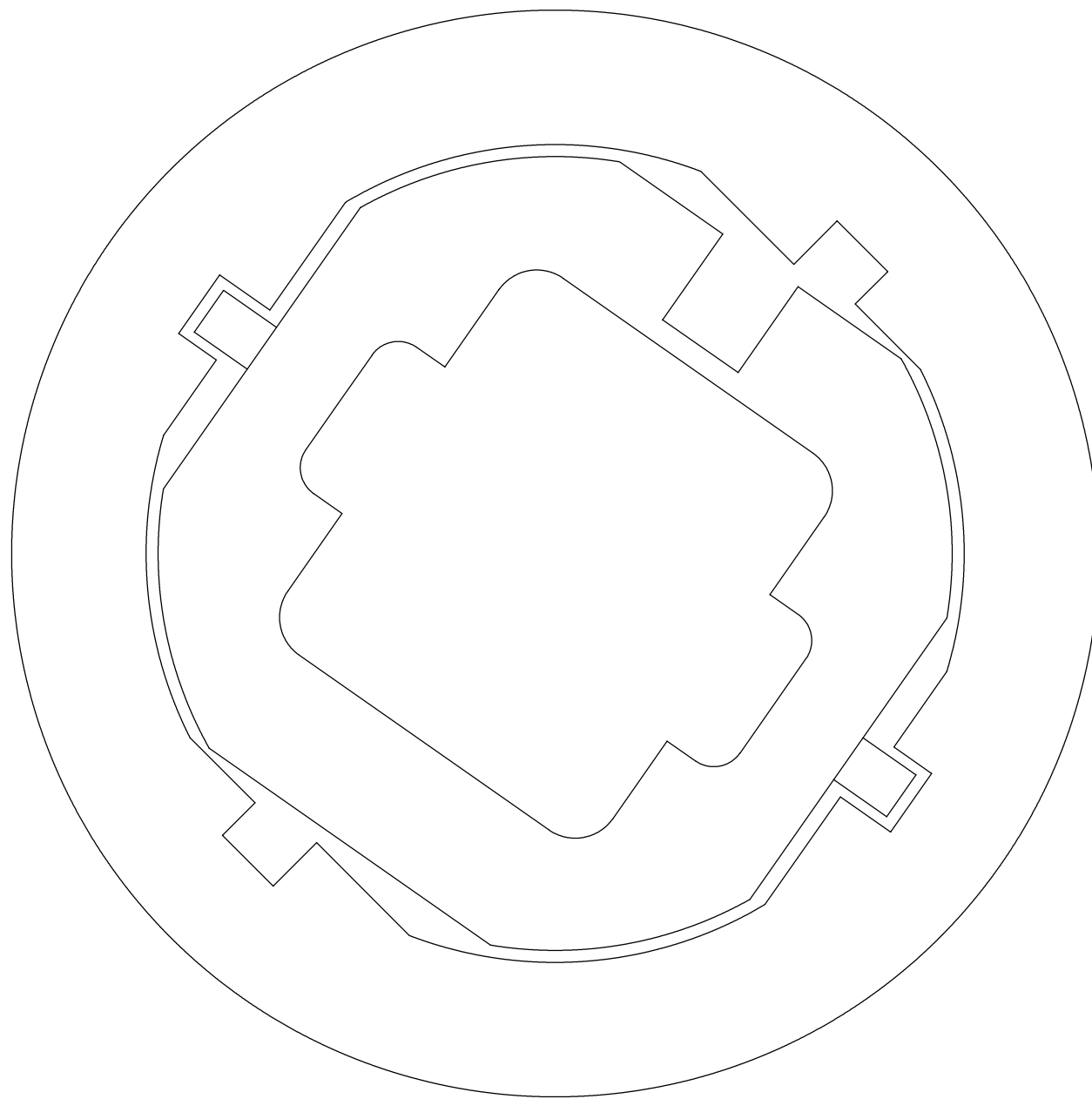
2001
Sleeve



2007

Sleeve

J. Mulholland



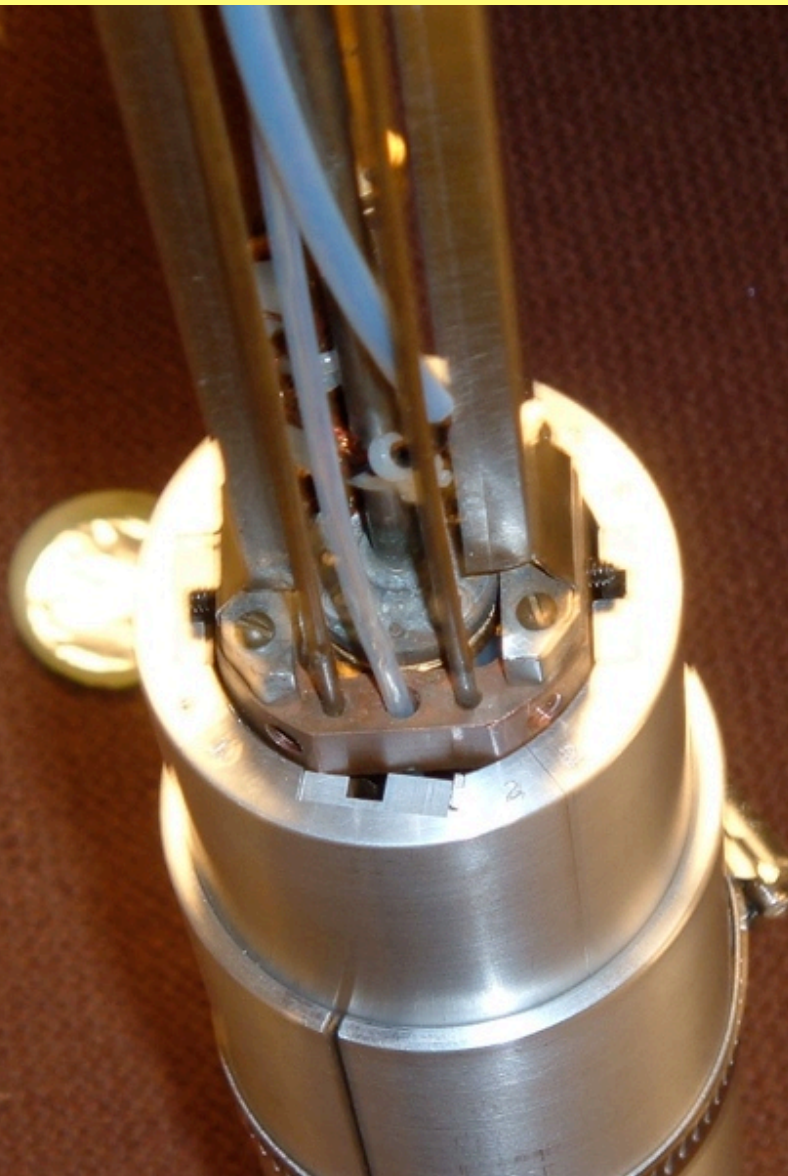
2007

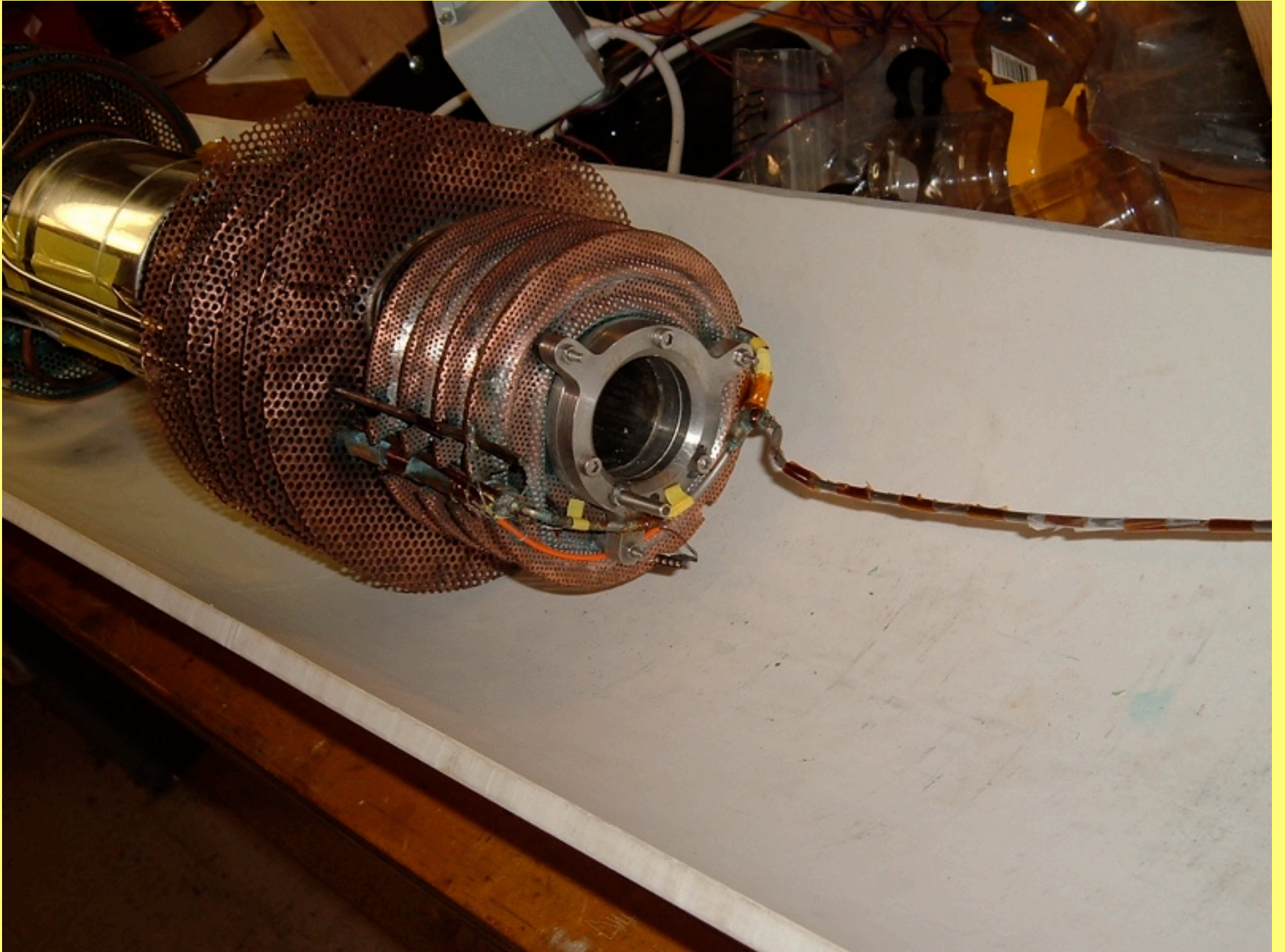
Sleeve

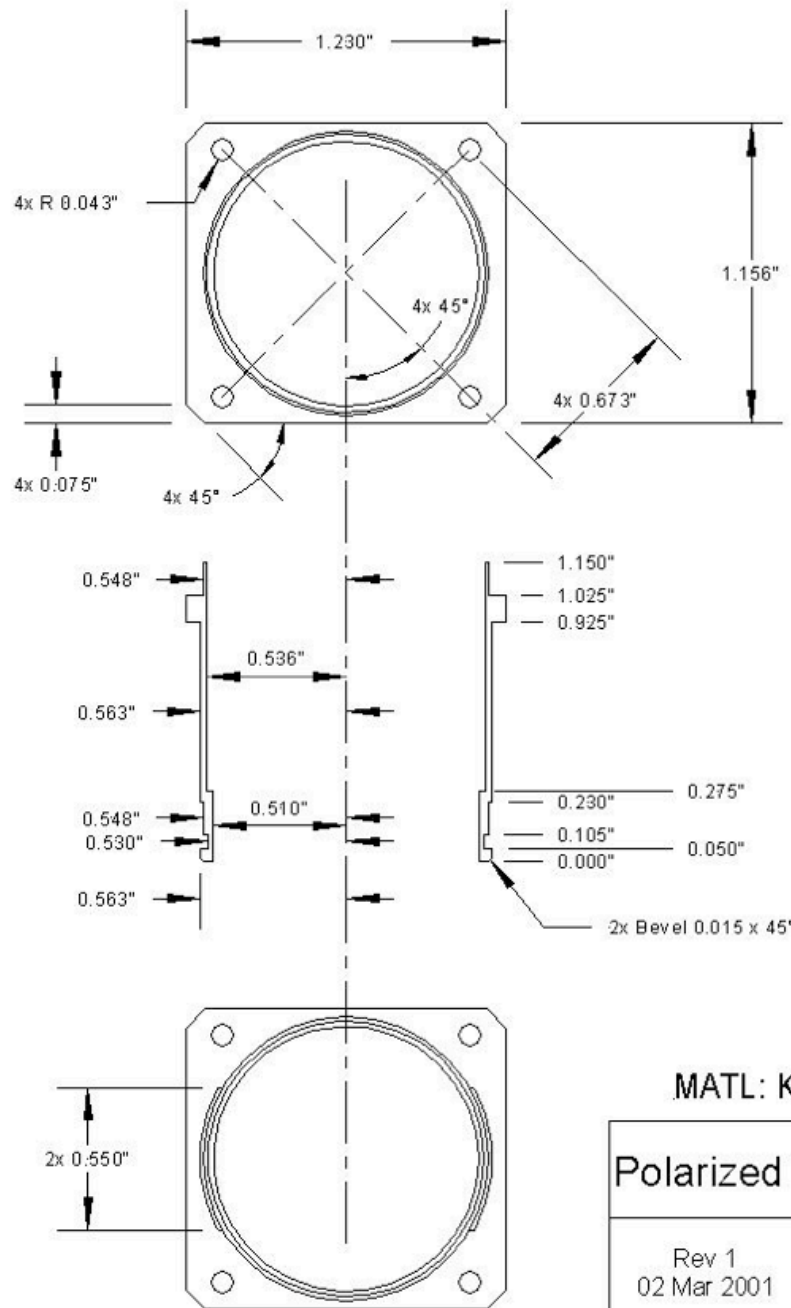
B.H. Kent



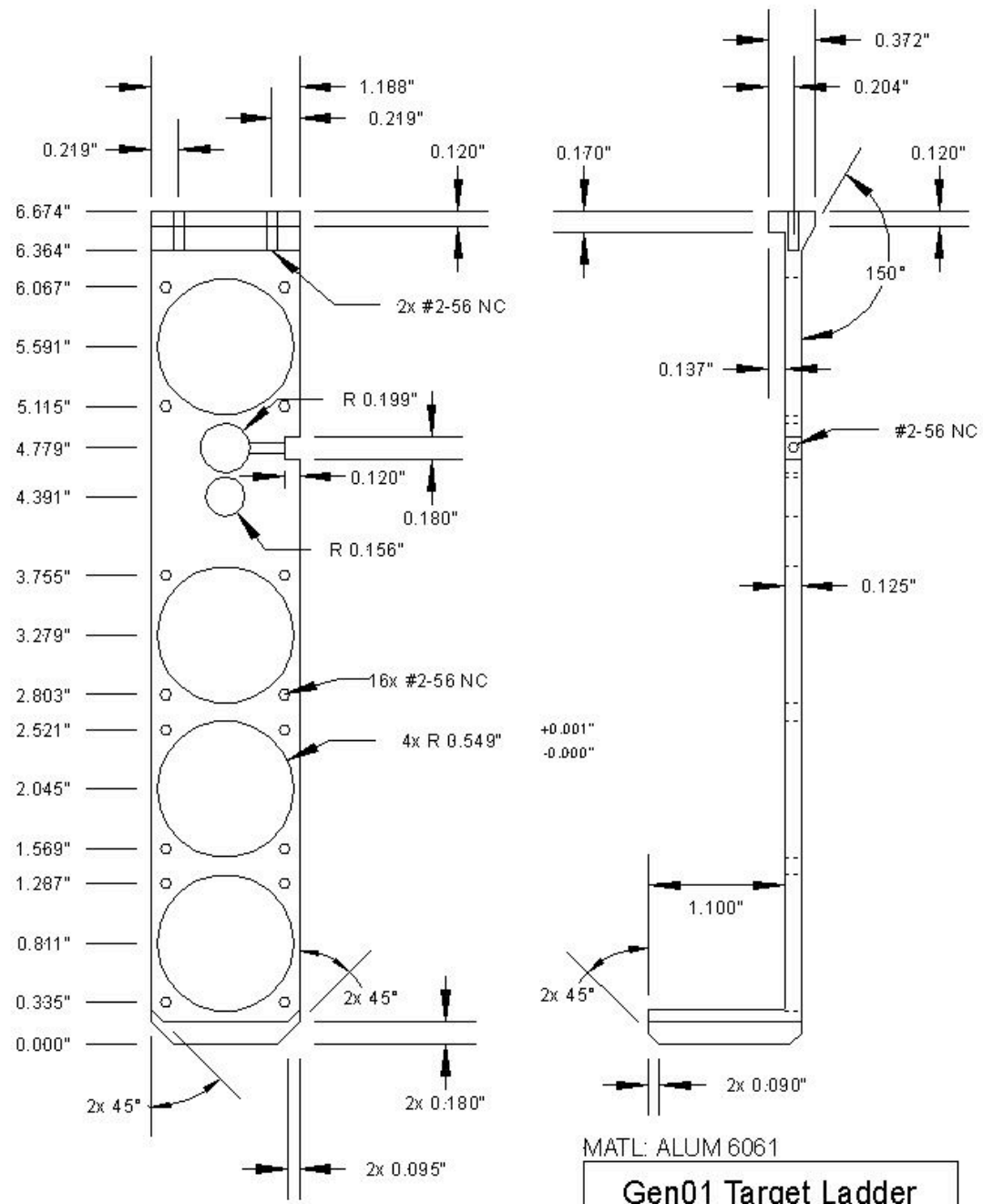
Currently,
tolerances
are too tight
and stick will
not clear
with lids on
cups.







Modify cups:
reduce inside
diameter or
reduce height
by 0.050



MATL: ALUM 6061

Gen01 Target Ladder	
Rev 2 02 Mar 2001	Paul McKee