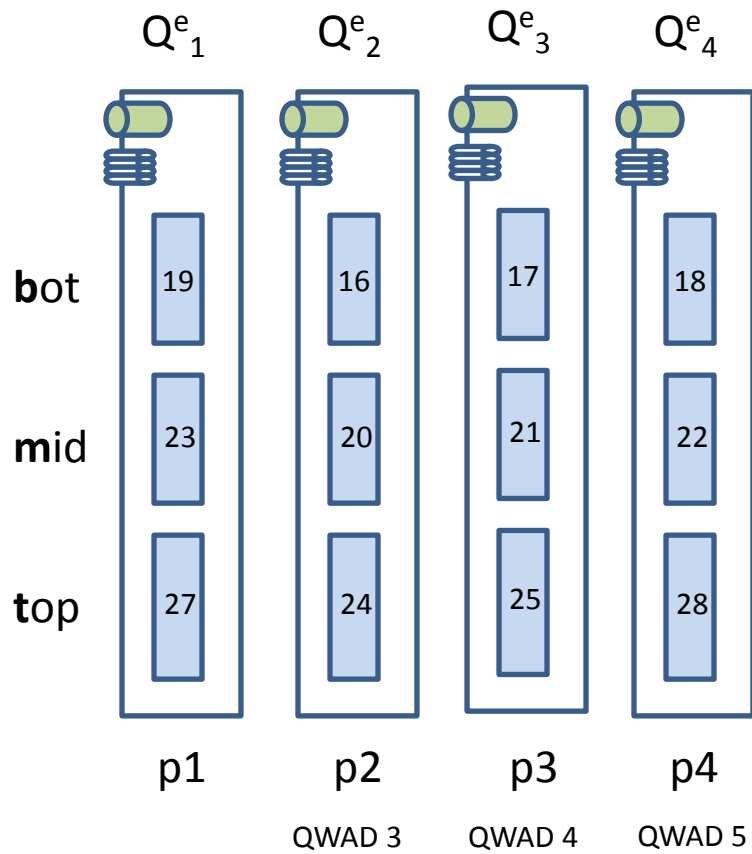


*Cable numbers for plane 2

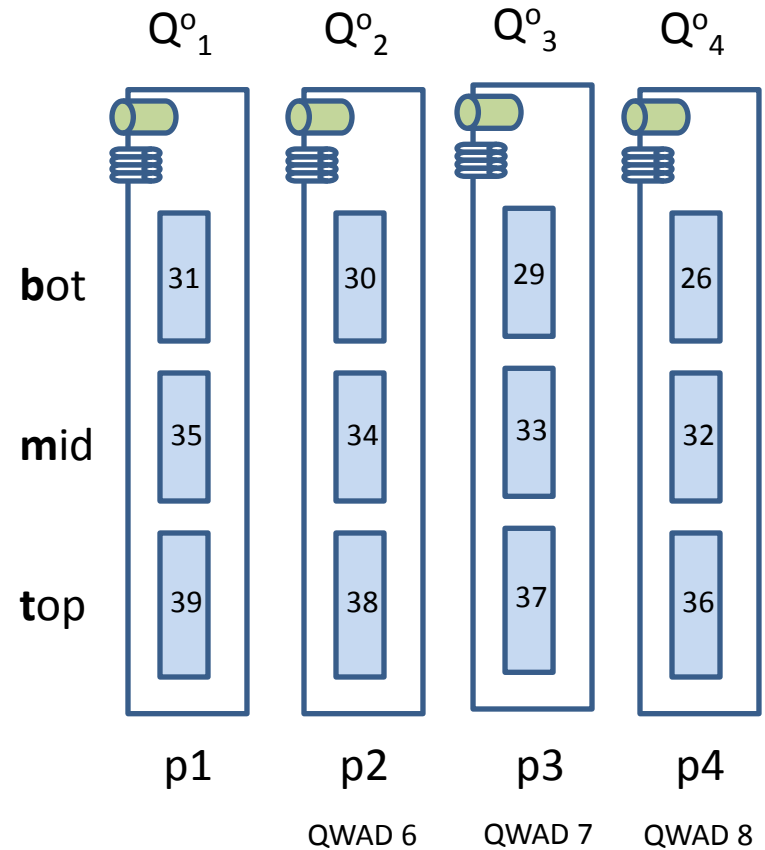
Downstream view of plane-2

Current cabling on the QWAD's at the tunnel end:

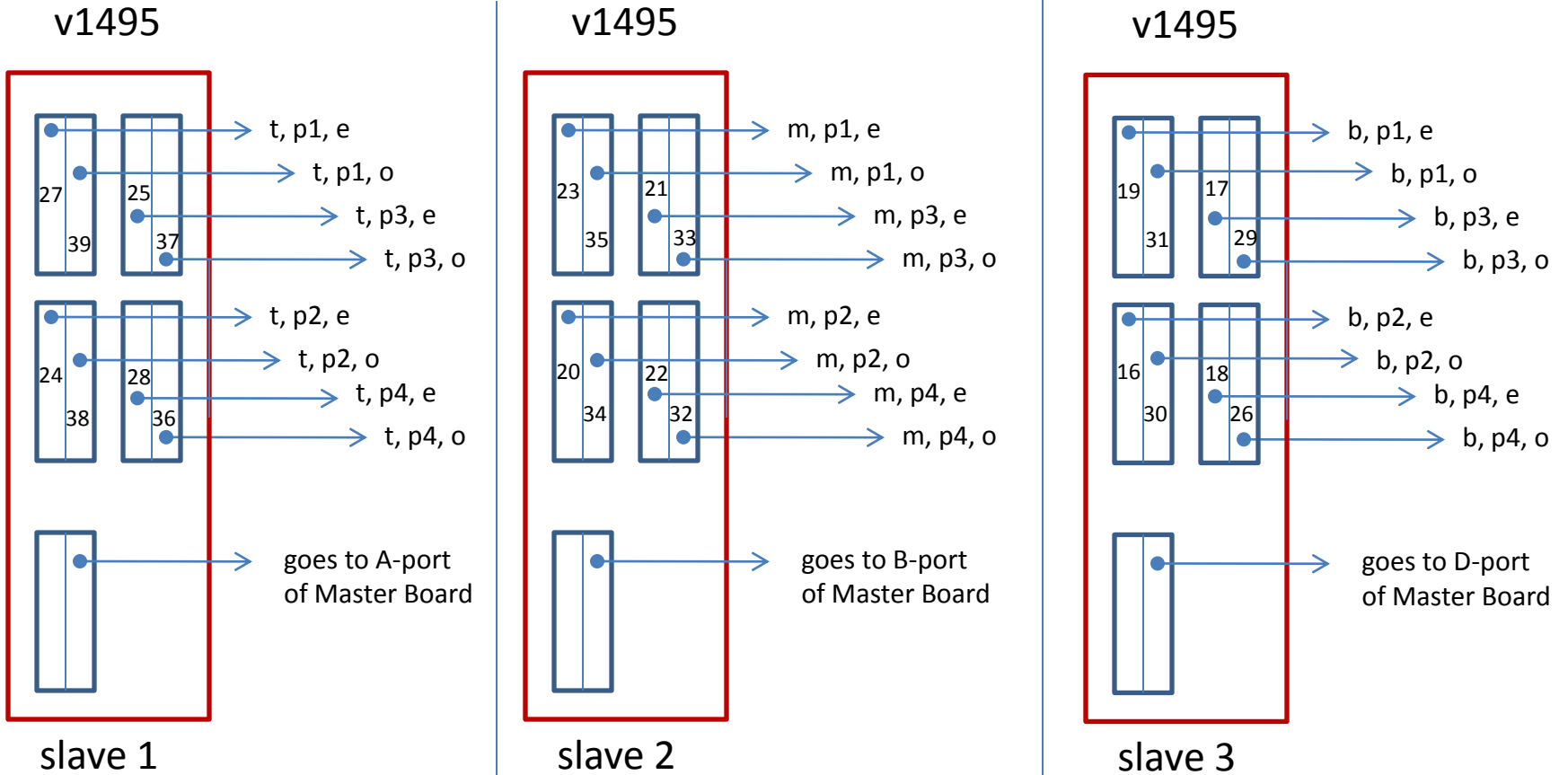
detector even strips, QWADs on beam right



detector Odd strips, QWADs on beam left



Cabling at the Counting House end :



Glossary :

- Q_n^e : **Q**WAD receiving **e**ven strips from n^{th} plane of e-detector (beam right)
- Q_n^o : **Q**WAD receiving **o**dd strips from n^{th} plane of e-detector (beam left)
- t : **t**op 32 strips of e-det plane
- m : **m**iddle 32 strips of e-det plane
- b : **b**ottom 32 strips of e-det plane
- p1: **p**lane **1** of the e-det plane
- p2: **p**lane **2** of the e-det plane
- p3: **p**lane **3** of the e-det plane
- p4: **p**lane **4** of the e-det plane