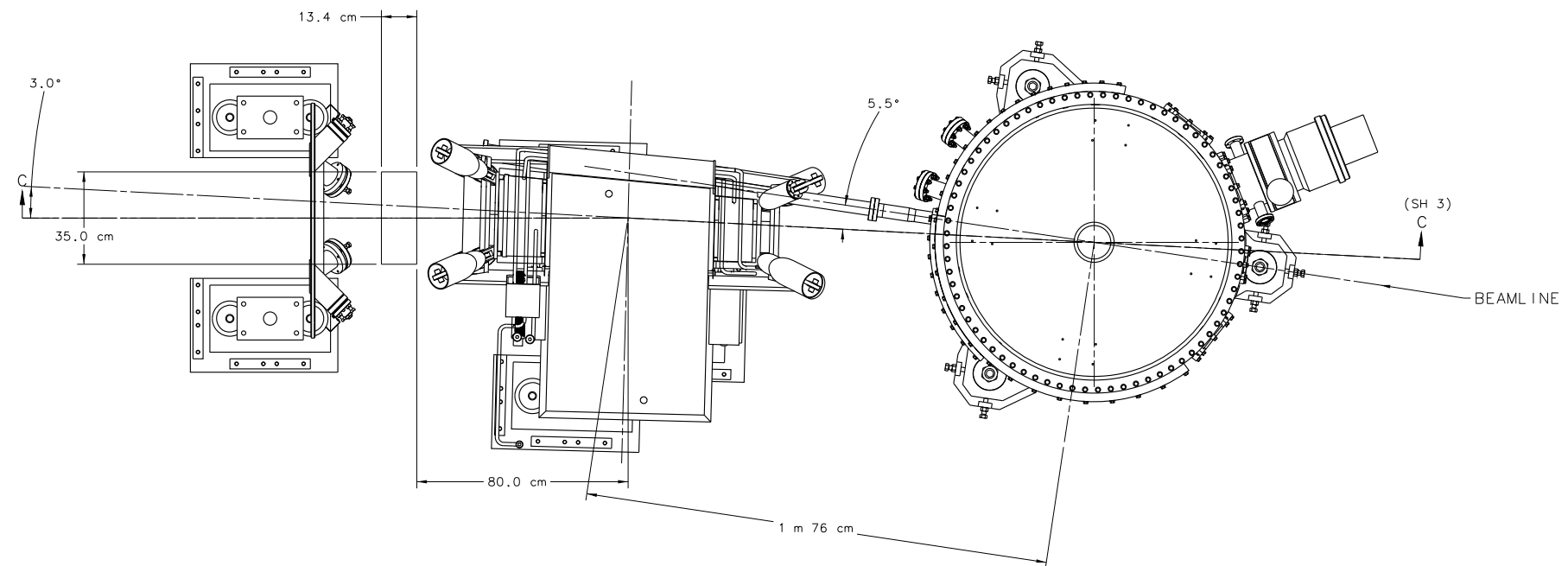
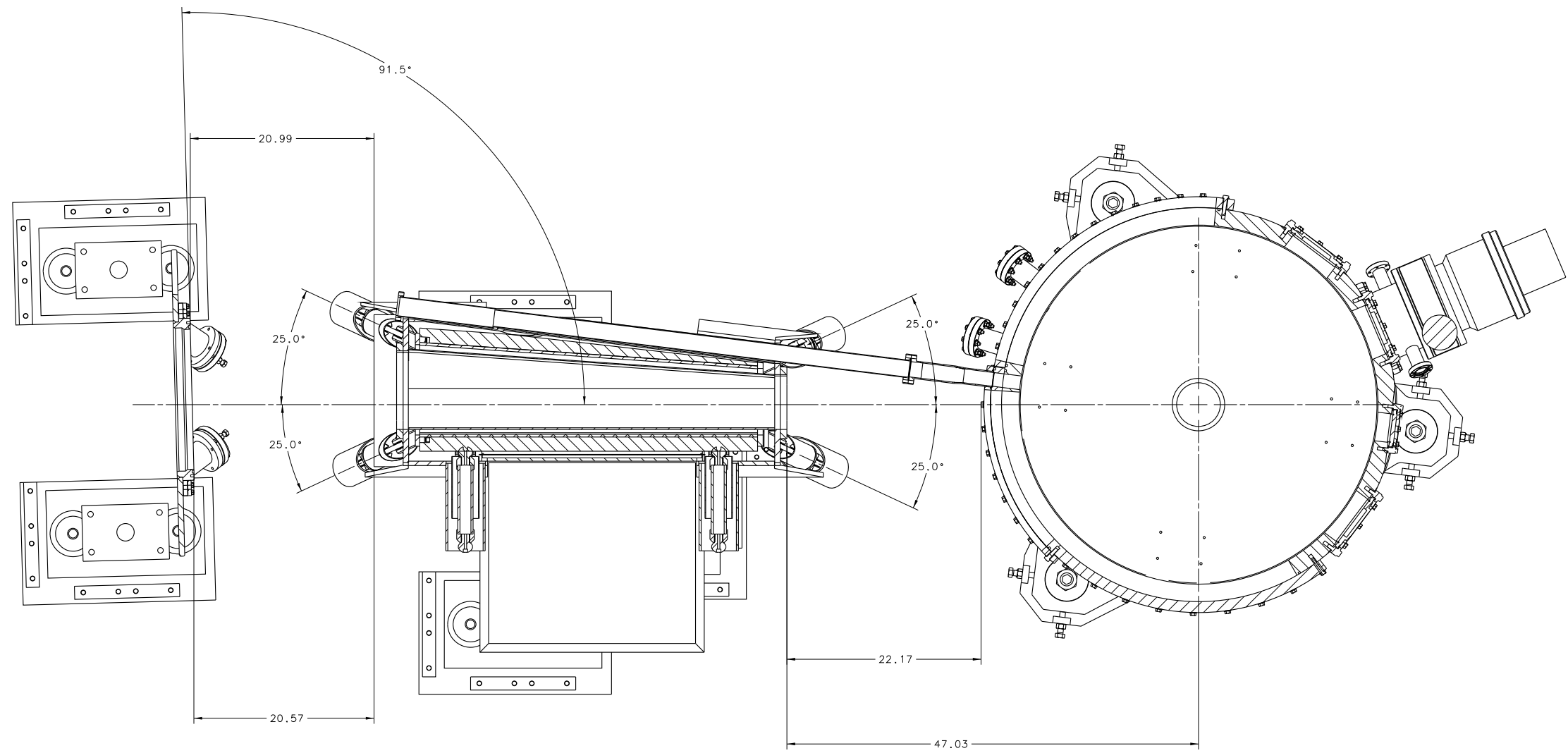


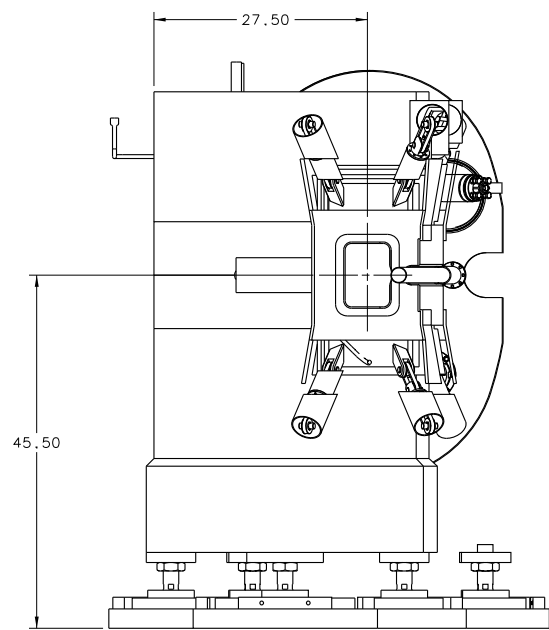
SOME ITEMS OMITTED FOR CLARITY



1. DIMENSIONS IN INCHES UNLESS OTHERWISE NOTED.



SECTION A-A
(FROM SHEET 1)



SECTION B-B
(FROM SHEET 1)

