

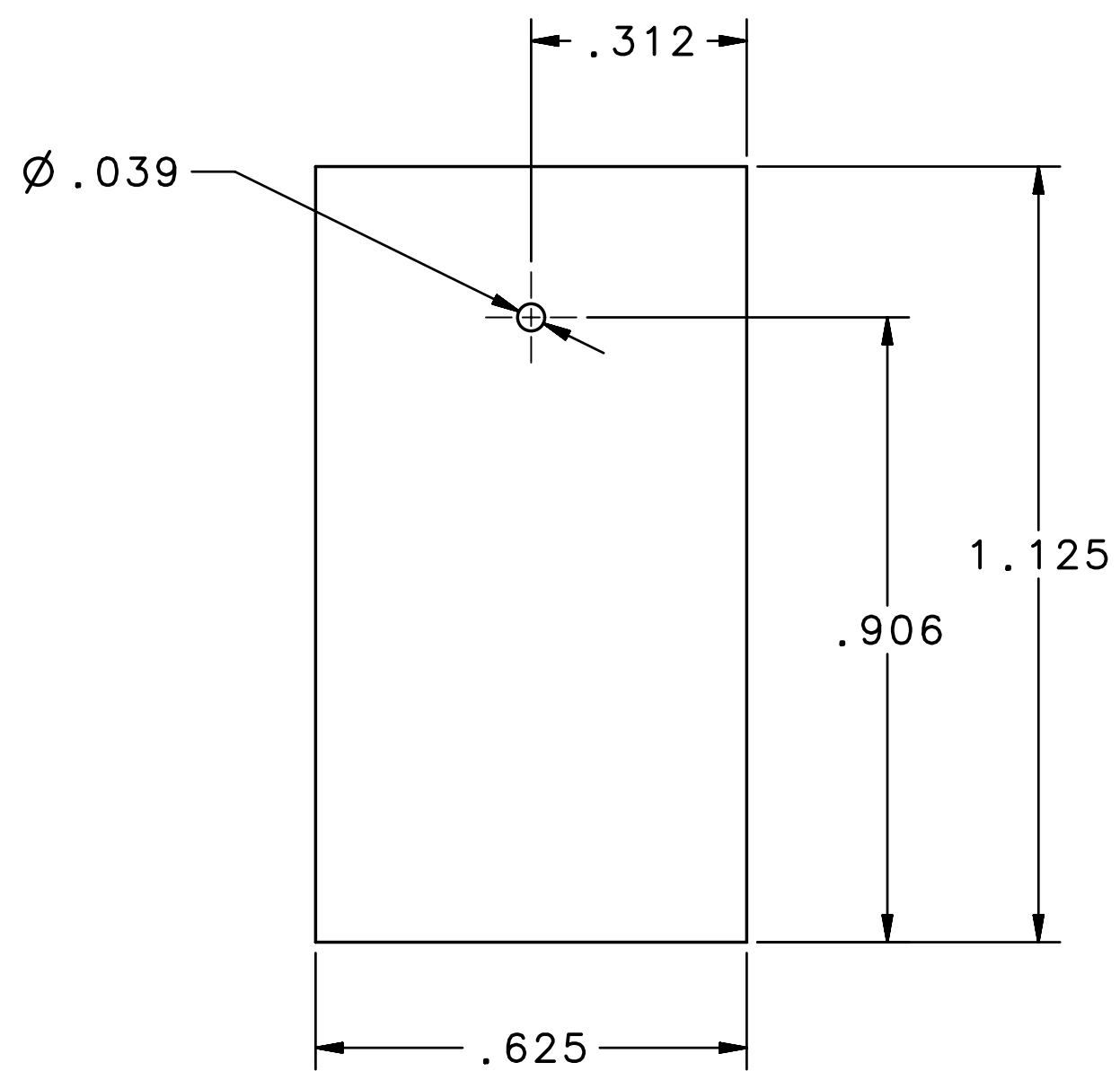
4

3

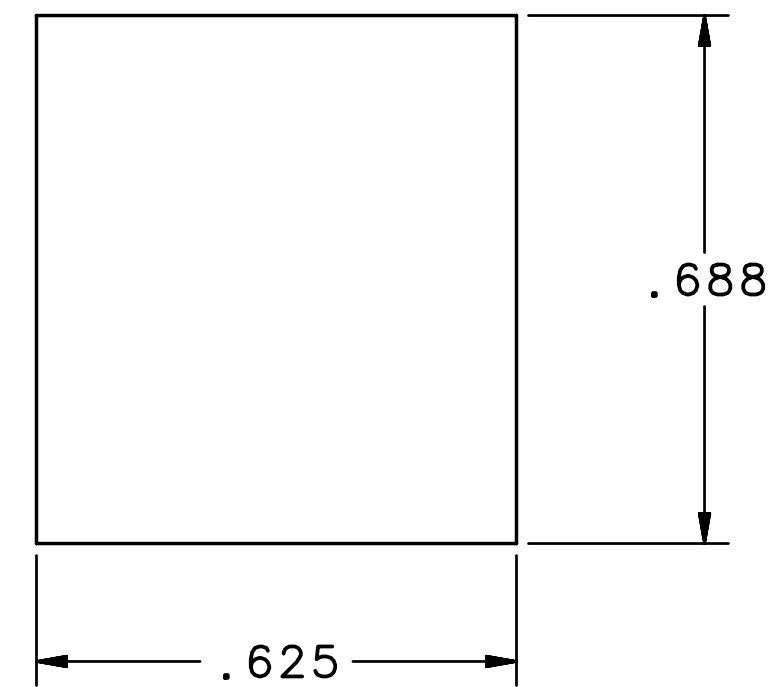
2

1

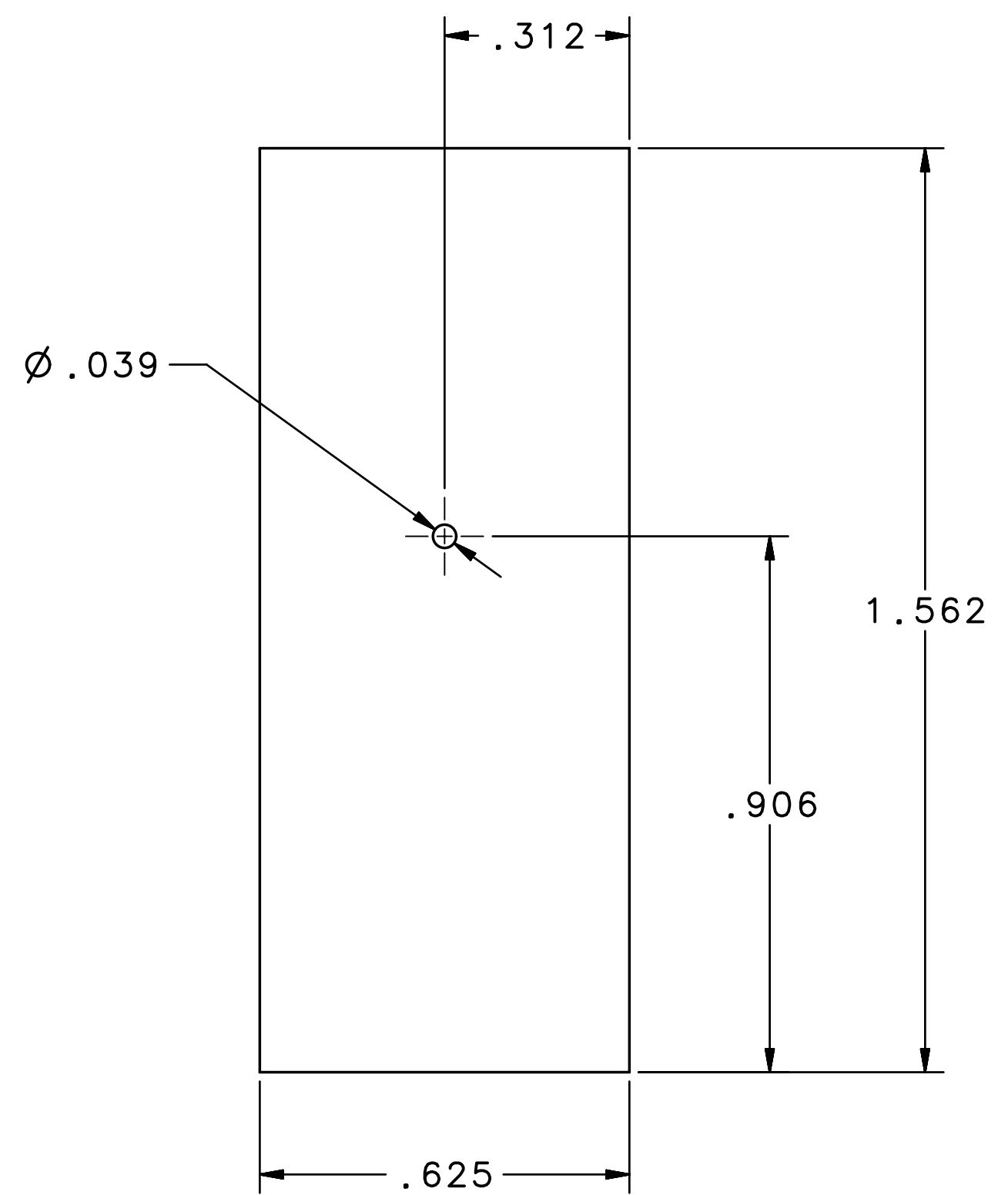
| REVISION HISTORY |     |                       |         |         |
|------------------|-----|-----------------------|---------|---------|
| ZONE             | REV | DESCRIPTION           | DATE    | REVISER |
| -                | A   | ADDED PART NUMBER -03 | 5/29/18 | BCM     |



**A** -03 CARBON TARGET W/HOLE SHORT  
MATERIAL: CARBON .010 THK



-02 CARBON TARGET  
MATERIAL: CARBON .010 THK



-01 CARBON TARGET W/HOLE  
MATERIAL: CARBON .010 THK

In accordance with the Jefferson Lab ESH&Q manual  
Subject Matter Expert(SME) signatures may be required

|   |   |                                      |   |   |
|---|---|--------------------------------------|---|---|
| DIM & TOL PER ASME Y14.5 2009<br>UNLESS OTHERWISE SPECIFIED<br>DIMENSIONS ARE IN INCHES<br>TOLERANCES ARE:<br>FRACTIONS    DECIMAL    ANGLES<br>± 1/8        .XX ± .01    ± .50°<br>.XXX ± .005 | MATERIAL  | United States Department of Energy   | Jefferson Lab<br><small>Orin Thomas Jefferson National Accelerator Facility</small> | Newport News Virginia                                     |
|   | NOTED   | HALL C<br>A1N<br>CARBON TARGET ITEMS |   |   |
| THIRD ANGLE PROJECTION  | FINISH MACHINED SURFACES DEBURR & BREAK ALL SHARP EDGES | UNLESS OTHERWISE NOTED               | DO NOT SCALE DRAWING  | REV. A  |
|   | DRAWN METZGER   | DATE 4/06/18                         | SIZE C<br>DWG. NO. 67507-00087  | SCALE N/A<br>USED ON ASSY NO. 67507-00047<br>SHEET 1 OF 1 |