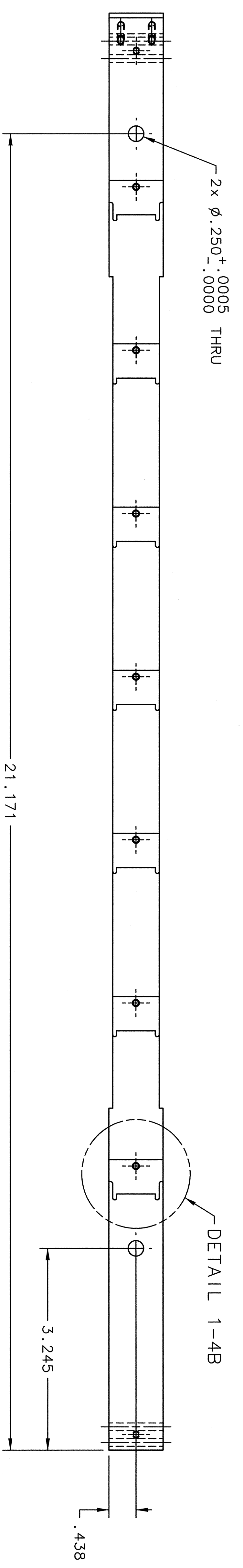
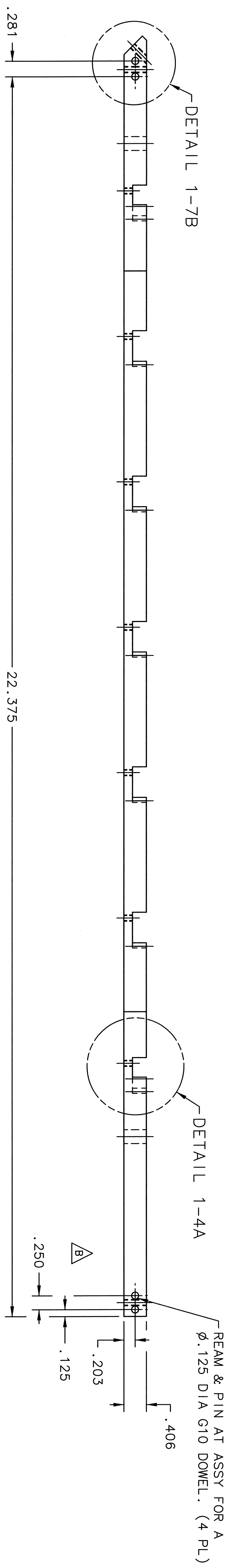


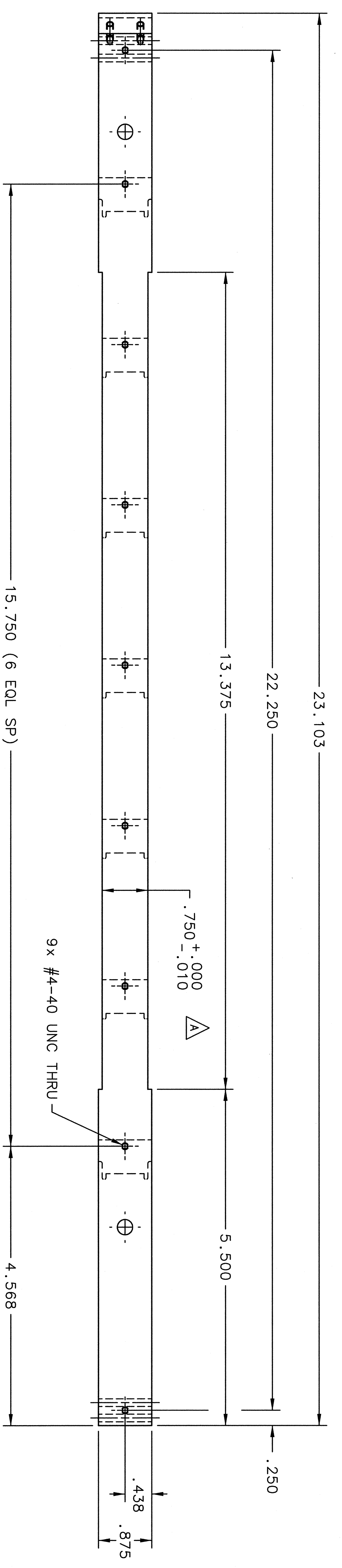
ZONE	REV	DESCRIPTION	DATE	APPROVED
ALL	A	REDUCED THE WIDTH OF THE SUPPORT BAR FROM .975 TO .750 ALONG THE AREA WHERE PICKUP COILS ARE NEEDED BETWEEN THE PICKUP COILS	07 OCT 08	SME
1-6E	8	ADDED DIMENSION 5.50, 13.375 & .750 WD DIM WITH A .000 ±.010 TOLERANCE TO THIS SUPPORT BAR AND THE LOWER PLATE TO ADD RIGIDITY. DIMS WERE ADDED TO LOCATE THE FOUR DOWEL HOLES.	21 OCT 08 22 OCT 08	SME CJP
1-4F	B	ADDED 4x .125 DIA DOWEL HOLES TO PIN THIS SUPPORT BAR AND THE LOWER PLATE TO ADD RIGIDITY. DIMS WERE ADDED TO LOCATE THE FOUR DOWEL HOLES.		



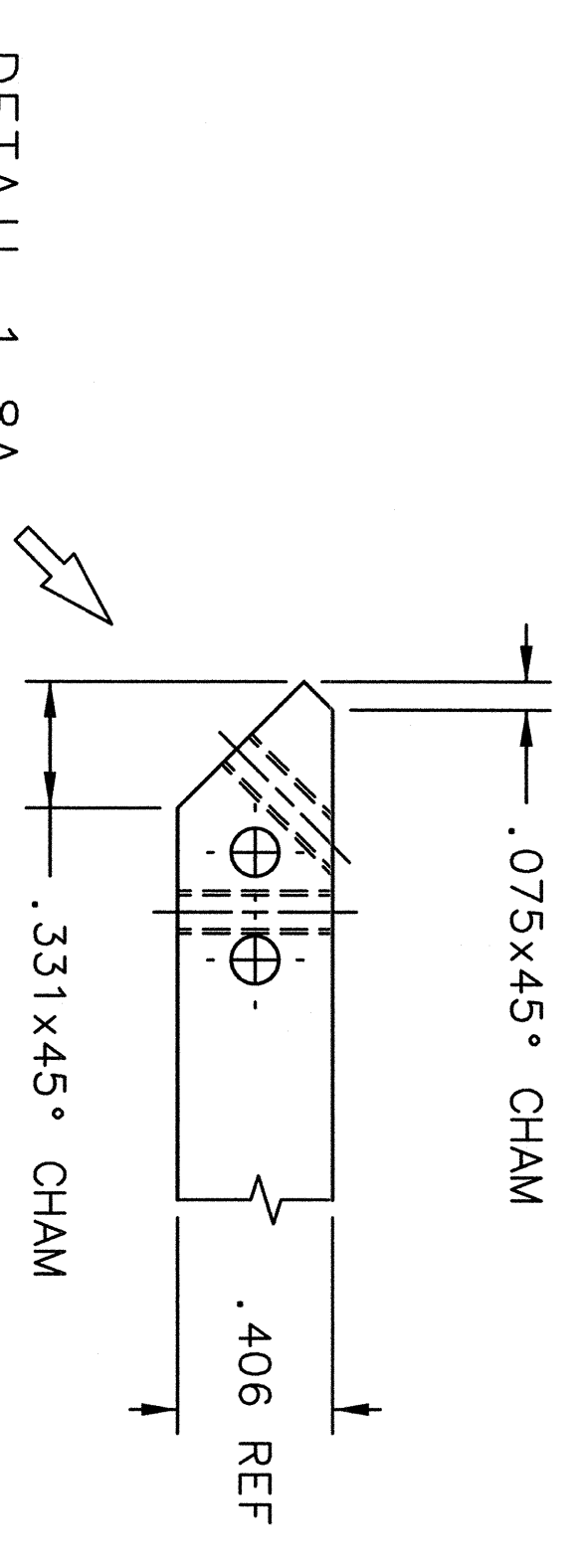
TOP VIEW 1-6G



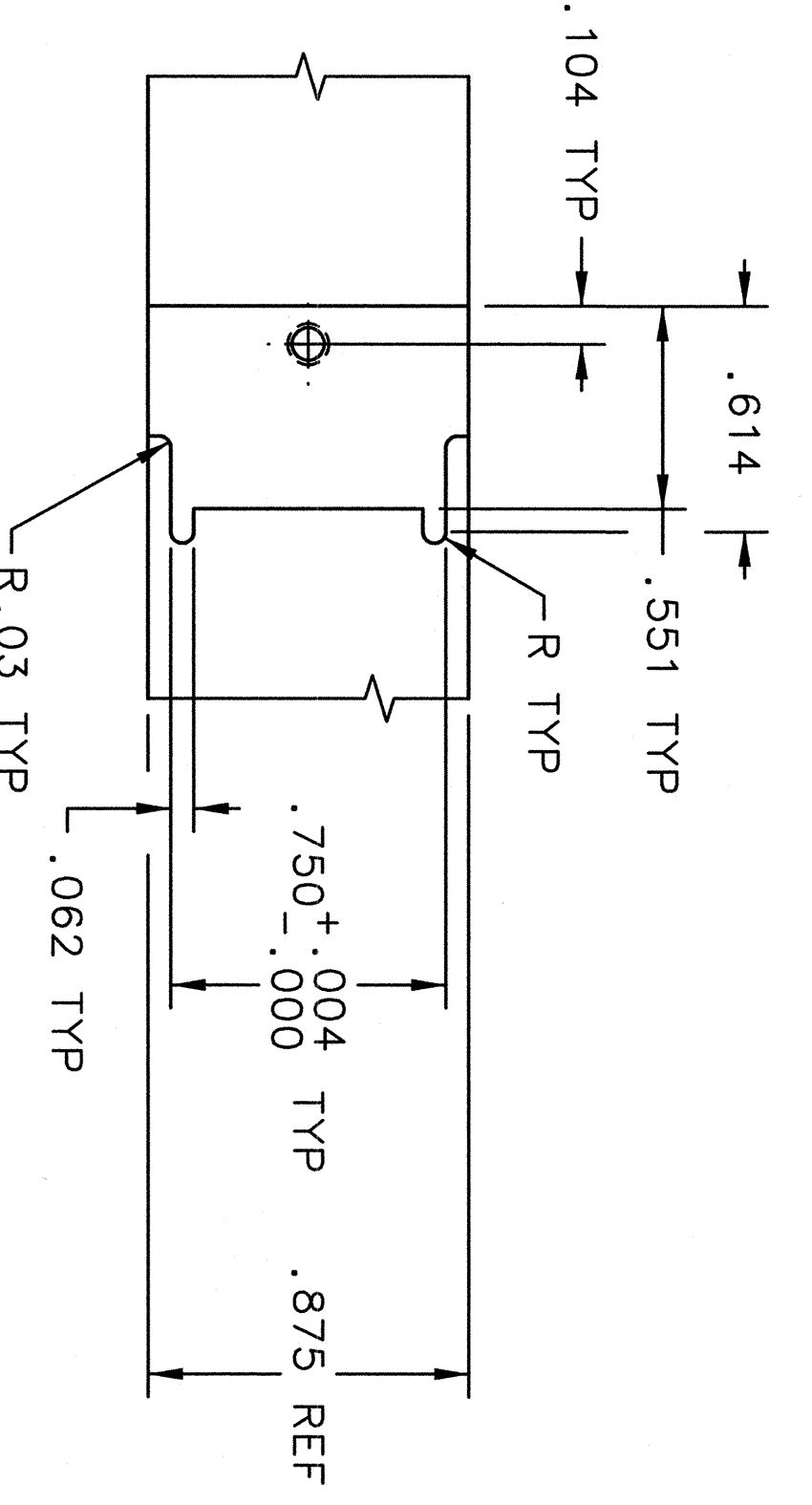
FRONT VIEW 1-6F



BOTTOM VIEW 1-6D



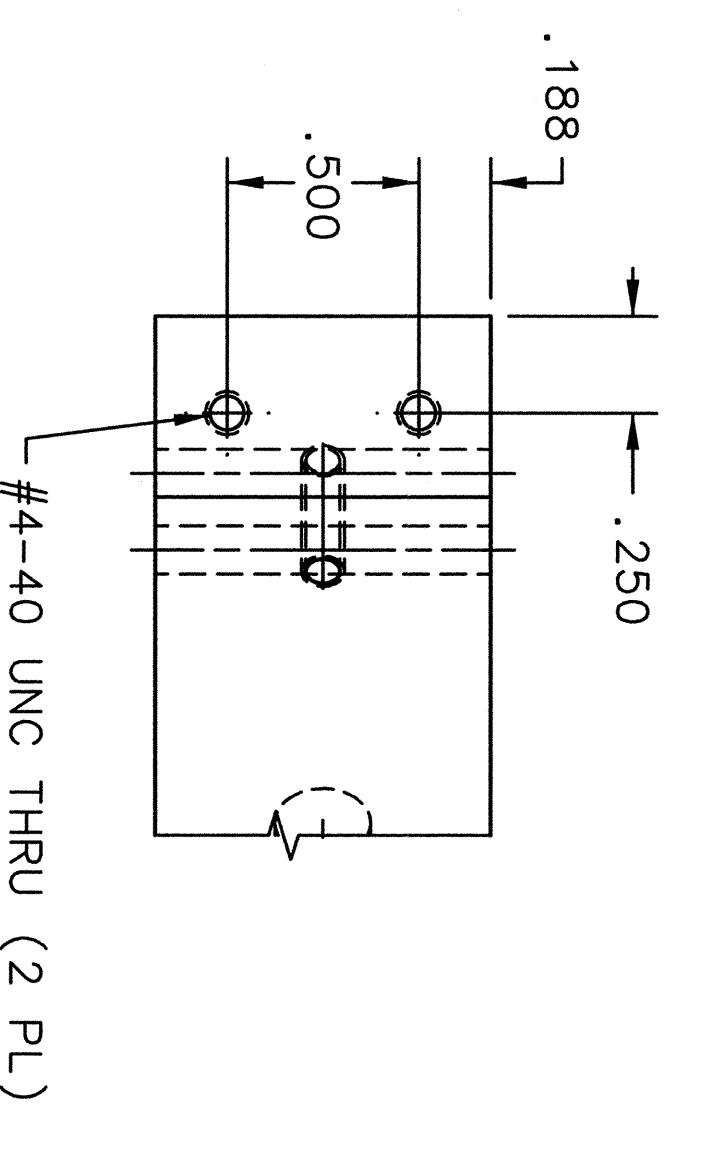
DETAIL 1-8A



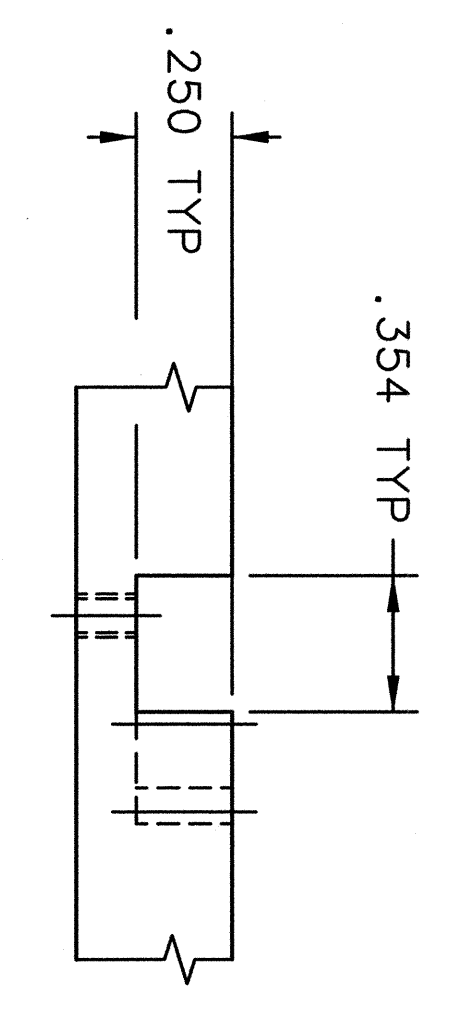
DETAIL VIEW 1-4B

DETAIL VIEW 1-7B  
SCALE 2:1  
(1-6F)

SCALE 2:1  
(1-6G)



DETAIL VIEW 1-8A



DETAIL VIEW 1-4A

SCALE 2:1  
(1-7B)

SCALE 2:1  
(1-6F)

OCCUPANT CONTROL STAMP MATERIAL: ULTEM FINISH: 12/ OTHERS: MACHINING: REFER TO DRAWING REFER & BREAK ALL SHARP EDGES DO NOT SCALE DRAWING	DIM & ANG DIMENSIONS UNLESS OTHERWISE SPECIFIED DIMENSIONS IN PARENTESIS ARE IN INCHES DIMENSIONS IN BRACKET ARE IN MILLIMETERS ANGLES: 30°, 45°, 60°, 90°, 120°, 150° THIRD ANGLE PROJECTION	TRACKING NO.: N/A APPROVALS: S: EJP DRAWN: S: EJP CHECKED: M: M: R. DM: M: V: A. APPROVED: M: M: R. DM: M: V: A. DATE: 01 JUL 08 SCALE: 1:1	HALL A - TRANSVERSITY - EXP E06-010 TARGET SYSTEM - TARGET LADDER CALIBRATION TARGET ASSY SUPPORT BAR NO: A06010-03-04-1101 SHEET: 1 OF 1